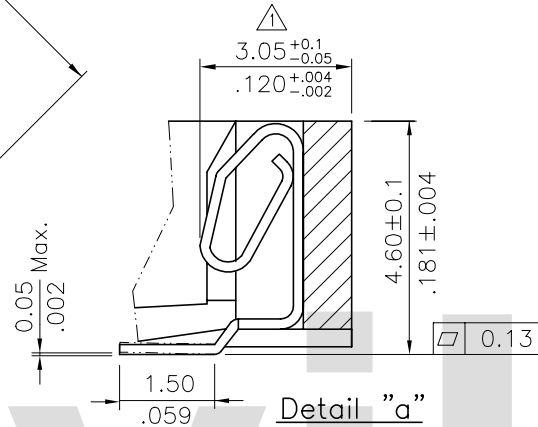


Material:
 * Insulation: PPS UL 94V-0
 Color Nature
 * Contact: Phosphor Bronze

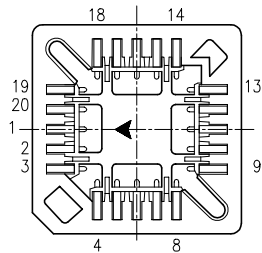
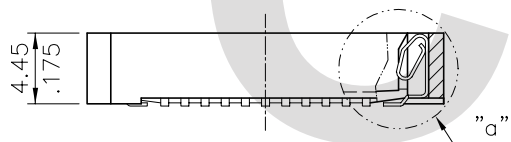
Ordering Code

CS22 ** 1 0 000
 ① ② ③ ④ ⑤

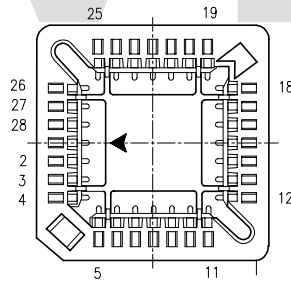
- ① Series No.
- ② Circuits:
- △ ③ Plating Code :
 1= 3.05um(120u") Min. Tin over
 1.27um(50u") Nickel
- ④ Color : 0= Nature
- ⑤ Option : 000=Standard



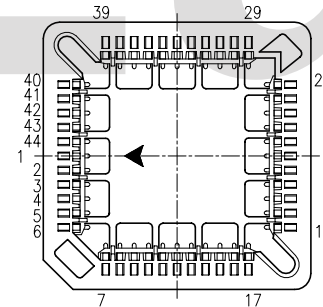
Available for 84 Circuits



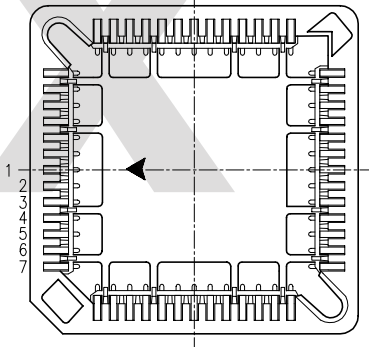
Available for 20 Circuits



Available for 28 Circuits



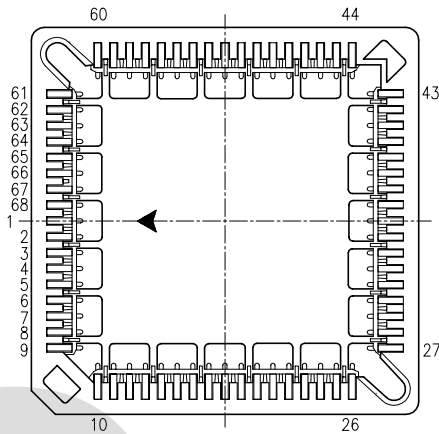
Available for 44 Circuits



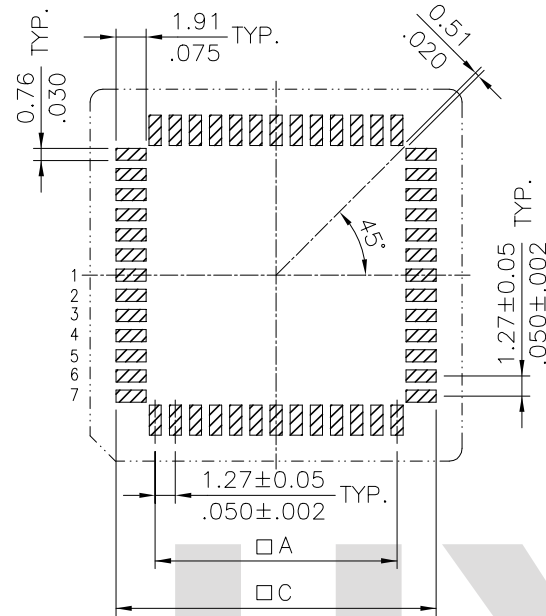
Available for 52 Circuits

RoHS Compliant

△4					DATE	UNIT: mm / inch	TITLE: 1.27MM(.050")	瀚荃股份有限公司 CviLux Corporation		
△3					DRAWN BY: Jim	9/4 06'	PLCC LOW PROFILE SMD TYPE			
△2	Jim	9/1/06'	ECR06078-0/ECN06314		ENGINEER: Easley	9/5 06'	MATERIAL:	DRAWING NO. CS2201SN	PART NO. CS22**10000	
△1	SUN	12/04/03'	ECN03440/ECR03059-0		CHECKED BY: David	9/5 06'	.X ± 0.25/.010 X: ± 1'	FINISH:	SCALE 2/1	SHEET 1 OF 2
SYM	NAME	DATE	REVISIONS		APPROVED BY: Alex	9/6 06'	.XX ± 0.15/.006 .X: ±			
						.XXX ± 0.08/.003 .XX: ±				





Available for 68 Circuits



Solder Pad Pattern

Circuits	Dimension			
	A	B	C	D
20	5.08(.200)	15.66(.617)	10.03(.395)	17.28(.680)
28	7.62(.300)	18.20(.717)	12.57(.495)	20.87(.822)
44	12.70(.500)	23.28(.917)	17.65(.695)	28.10(1.106)
52	15.24(.600)	25.82(1.017)	20.19(.795)	31.65(1.246)
68	20.32(.800)	30.90(1.217)	25.27(.995)	38.85(1.530)
84	25.40(1.000)	35.98(1.417)	30.35(1.195)	46.5(1.831)

RoHS Compliant

4					DATE	UNIT: mm / inch	TITLE: CS22**10000 OF RECOMMENDED P.C. BOARD LAYOUT	 瀚荃股份有限公司 CviLux Corporation	
3					DRAWN BY: Jim	9/4 06'	TOLERANCE UNLESS OTHERWISE SPECIFIED		
2	Jim	9/1/06'	ECR06078-0/ECN06314		ENGINEER: Easley	9/5 06'	.X ±	.X' ± 1'	MATERIAL:
1	SUN	12/04/03'	ECN03440/ECR03059-0		CHECKED BY: David	9/5 06'	.XX ±	.X' ±	FINISH:
SYM	NAME	DATE	REVISIONS	APPROVED BY: Alex	9/6 06'	.XXX ±	.XX' ±	DRAWING NO. CS2201SN	PART NO. CS22**10000
								SCALE 2/1	SHEET 2 OF 2