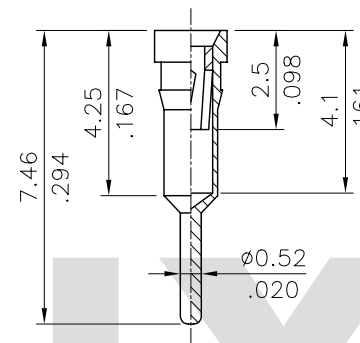
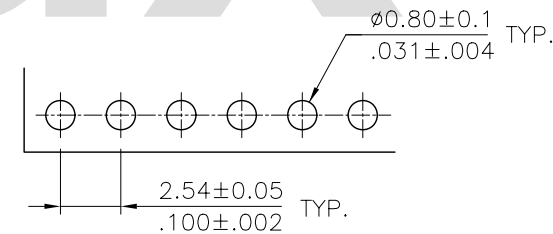


A = 2.54 * No. of Spaces
 B = A + 2.44
 * Available in 2 through 40 circuits

Material:
 * Insulation: PPS UL 94V-0
 Color Black
 * Pin:
 Outer sleeve: Brass, machined
 Inner 4 finger contact: Beryllium Copper, heat treated



Pin detail



Recommended P.C. Board Layout

RoHS Compliant

4					DATE	UNIT: mm / inch		TITLE: 2.54MM(.100") SIP I.C. SOCKET		瀚荃股份有限公司 CviLux Corporation			
3				DRAWN BY: Sandy	7/2/96'	TOLERANCE UNLESS OTHERWISE SPECIFIED							MATERIAL:
2				ENGINEER: David	7/2/96'	.X ± 0.30 / .012	.X' ± 1"	FINISH:					
1				CHECKED BY: David	7/3/96'	.XX ± 0.20 / .008	.X' ±						DRAWING NO. CS1001SA
SYM	NAME	DATE		REVISIONS	APPROVED BY: Alex	7/3/96'	.XXX ± 0.10 / .004	.XX ±					SCALE 3 / 1