

Ordering Code:

CS01 X1 2 A 1 00
 ① ② ③ ④ ⑤ ⑥

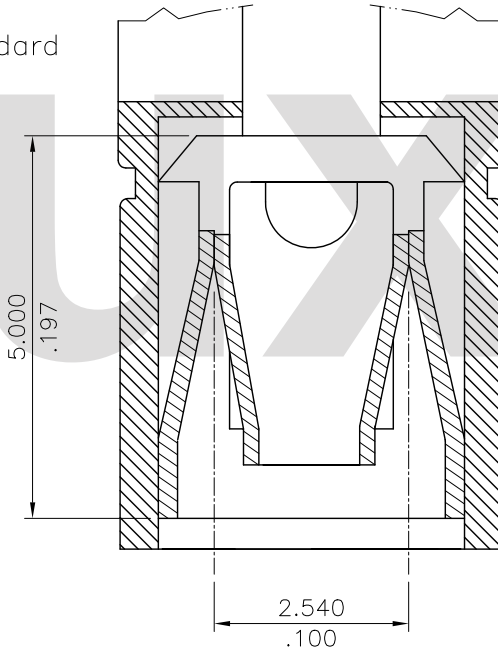
Material:

* Insulation:

Glass filled polyester UL 94V-0

△* Contact: Phosphor Bronze

- ① Series No.
- ② Isulation high:
- ③ Plating option:
2= Gold flash plated over
1.27μm(50μ") Nickel
- ④ Contact type:
A= Closed ead
- ⑤ Color code:
1= Black ,3= Red ,7= Blue
- ⑥ Option:
00= Standard



SEC.: A-A

RoHS Compliant

④	Sandy	7/22-10'	ECN10266			DATE	UNIT: mm / inch	TITLE: 2.54MM(.100") CLOSED TOP SHUNT	 瀚荃股份有限公司 CviLux Corporation
③	Sandy	5/5-09'	ECN09224		DRAWN BY: Sandy	7/22-10'	TOLERANCE UNLESS OTHERWISE SPECIFIED	MATERIAL:	
②	Jim	1/25-07'	ECR07007-0/ECN07019		ENGINEER: Easley	7/22-10'	.X ± 0.30 / .012 X' ± 1"	FINISH:	
①	SUN	9/30-05'	ECR05067-0/ECN05275		CHECKED BY: David	7/22-10'	.XX ± 0.20 / .008 .X' ±	DRAWING NO. CS0108SF PART NO. CS01X12A*00	
SYM	NAME	DATE	REVISIONS		APPROVED BY: David	7/22-10'	.XXX ± 0.10 / .004 .XX' ±	SCALE 10 / 1 SHEET 1 OF 1	