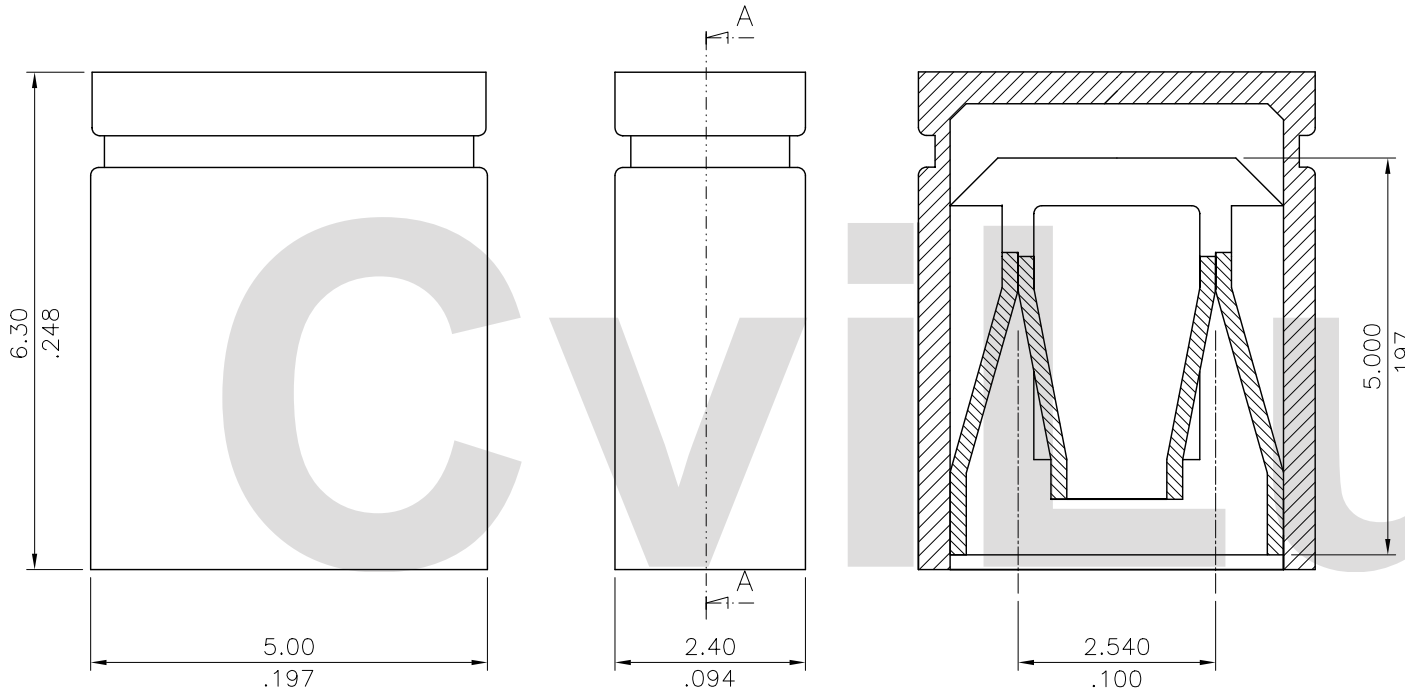


Material:

- * Insulation: Glass filled polyester UL 94V-0
- * Contact: Phosphor Bronze



Ordering Code:

CS01 63 2 A 1 00
 ① ② ③ ④ ⑤ ⑥

- ① Series No.
- ② Isulation high:
- ③ Plating option:
 1= 3.05 μ m(120 μ "") Min. Tin
 over 0.76 μ m(30 μ "") Nickel
 2= Gold flash plated over
 1.27 μ m(50 μ "") Nickel
- ④ Contact type:
 A= Closed ead
- ⑤ Color code:
 1= Black ,2= Brown
 ,3= Red ,7= Blue
- ⑥ Option:
 00= Standard

SEC.: A-A

RoHS Compliant

| | | | | | | | | | | | | |
|-----|-------|----------|---------------------|--|--------------|--------|-----------------|--|--------------------------------|-----------|----------|-------------|
| ④ | | | | | | DATE | UNIT: mm / inch | TITLE: 2.54MM(.100") CLOSED TOP SHUNT | 瀚荃股份有限公司 CviLux Corporation | | | |
| ③ | Sandy | 5/5/09' | ECN09224 | | DRAWN BY: | Sandy | 5/5-09' | TOLERANCE UNLESS OTHERWISE SPECIFIED | | MATERIAL: | | |
| ② | Jim | 1/25/07' | ECR07007-0/ECN07029 | | ENGINEER: | Eisley | 5/6-09' | .X ± 0.30 / .012 X' ± 1" | | FINISH: | | |
| ① | SUN | 9/30/05 | ECR05067-0/ECN05275 | | CHECKED BY: | David | 5/5-09' | .XX ± 0.20 / .008 .X' ± | DRAWING NO. | CS0105SD | PART NO. | CS0163*A*00 |
| SYM | NAME | DATE | REVISIONS | | APPROVED BY: | Alex | 5/6-09' | .XXX ± 0.10 / .004 .XX' ± | SCALE | 10 / 1 | SHEET | 1 OF 1 |