

Recommended P.C. Board Layout

Material:

* Insulation: Glass filled polyester UL 94V-0

* Contact: Phosphor Bronze

Ordering Code

CF14 ** 1 H 100
 ① ② ③ ④ ⑤

① Series No.

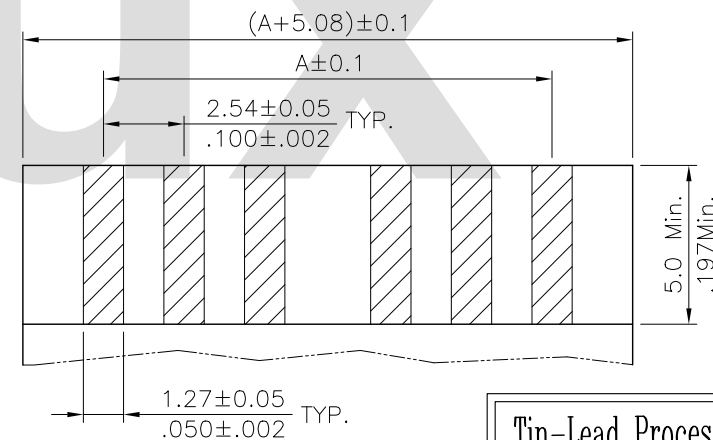
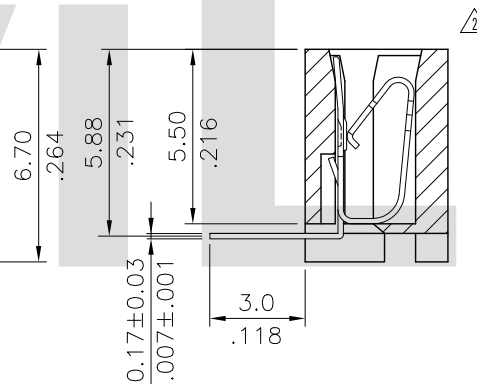
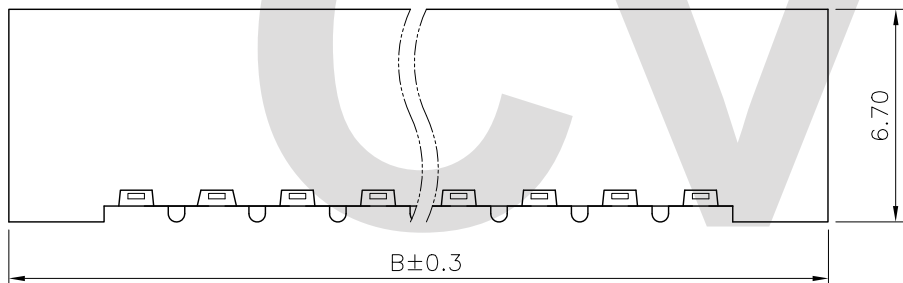
② No. of Circuits

③ Plating code:

1 = 2.54µm(100µ") Min. Tin
 over 0.76µm(30µ") Nickel

④ Entry option: H= Side entry

⑤ Color: 100= Black



A = 2.54 x No. of Spaces

B = A + 8.0

C = A + 5.9


⚠ * Available in 6 through 26 circuits

Accommodated FPC/FFC
 (Thickness: 0.3mm±0.05)

Tin-Lead Process

RoHS Compliant

CVILUX CORP
2010.06.15
ISSUED

④						DATE	UNIT: mm / inch	TITLE: 2.54MM(.098") DUAL CONTACT FPC/FFC CONNECTOR	 瀚荃股份有限公司 CviLux Corporation
③	Sun	2/06-10'	ECR10009-0/ECN10018	DRAWN BY: Sun	6/7-10'	TOLERANCE UNLESS OTHERWISE SPECIFIED		MATERIAL:	
②	Sun	12/10/03'	ECN03462/ECR03063-0	ENGINEER: Easley	6/8-10'	.X ± 0.30/.012 X' ± 1"		FINISH:	
①	Sun	9/19/03'	ECN03301/ECR03024-0	CHECKED BY: David	6/8-10'	.XX ± 0.20/.008 X' ±		DRAWING NO. CF1402SI PART NO. CF14**1H100	
SYM	NAME	DATE	REVISIONS	APPROVED BY: Alex	6/8-10'	.XXX ± 0.10/.004 .XX' ±		SCALE 4 / 1 SHEET 1 OF 1	