

Recommended P.C. Board Layout

Material:

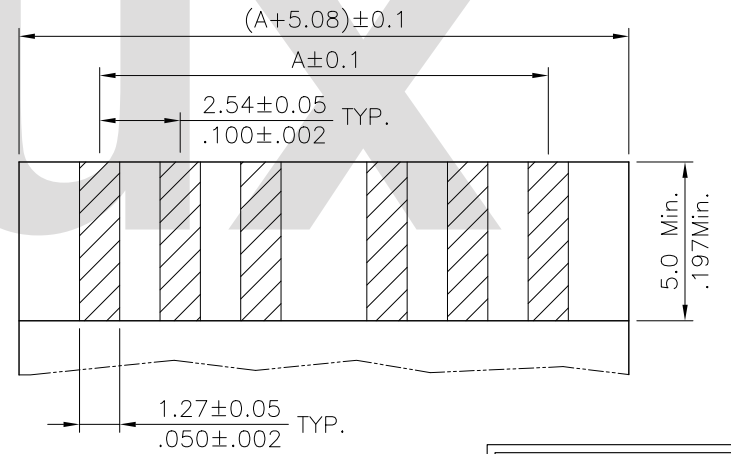
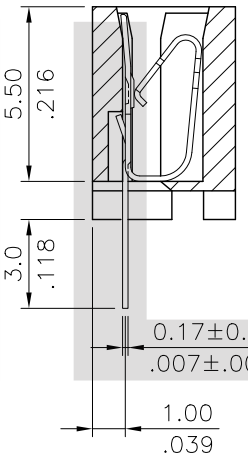
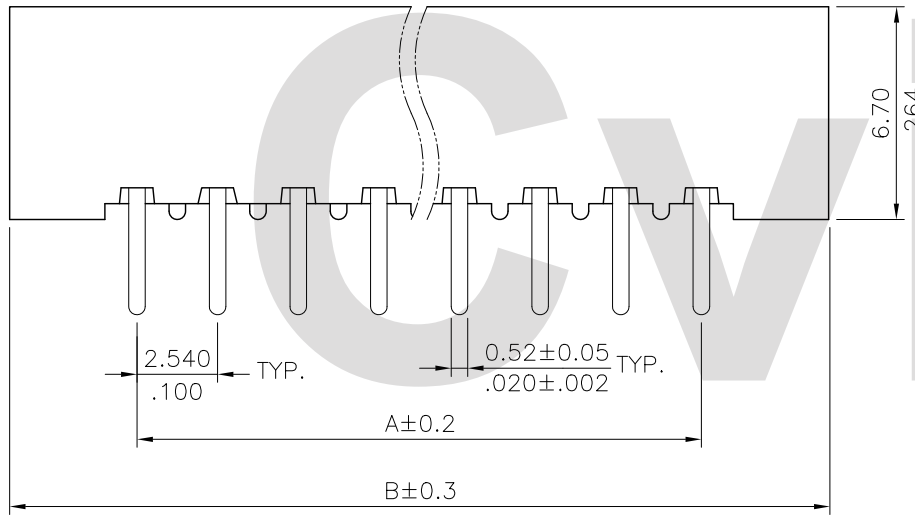
* Insulation: Glass filled polyester UL 94V-0

* Contact: Phosphor Bronze

Ordering Code

CF14 ** 1 V 100
 ① ② ③ ④ ⑤

- ① Series No.
- ② No. of Circuits
- ③ Plating code:
 1 = 2.54µm(100µ") Min. Tin
 over 0.76µm(30µ") Nickel
- ④ Entry option: V= Top entry
- ⑤ Color: 100= Black



A = 2.54 x No. of Spaces
 B = A + 8.0
 C = A + 5.9

△ * Available in 6 through 26 circuits

Accommodated FPC/FFC
 (Thickness: 0.3mm±0.05)

Tin-Lead Process
 RoHS Compliant

4					DATE	UNIT: mm / inch	TITLE: 2.54MM(.098")	瀚荃股份有限公司 CviLux Corporation
3				DRAWN BY: Sun	6/7-10'	TOLERANCE UNLESS OTHERWISE SPECIFIED	DUAL CONTACT FPC/FFC CONNECTOR	
2	Sun	2/06-10'	ECR10009-0/ECN10018	ENGINEER: Eisley	6/8-10'	.X ± 0.30/.012 X' ± 1'	MATERIAL:	
1	Sun	9/19/03'	ECR03024-0/ECN03301	CHECKED BY: David	6/8-10'	.XX ± 0.20/.008 X' ±	FINISH:	
SYM	NAME	DATE	REVISIONS	APPROVED BY: Alex	6/8-10'	.XXX ± 0.10/.004 .XX' ±		DRAWING NO. CF1401SG
								PART NO. CF14**1V100
								SCALE 4 / 1
								SHEET 1 OF 1

