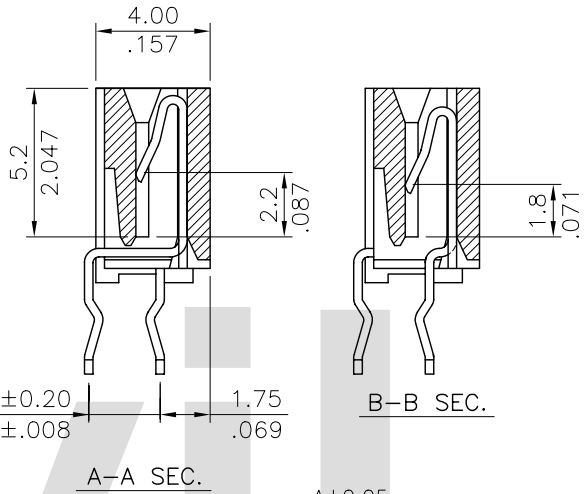
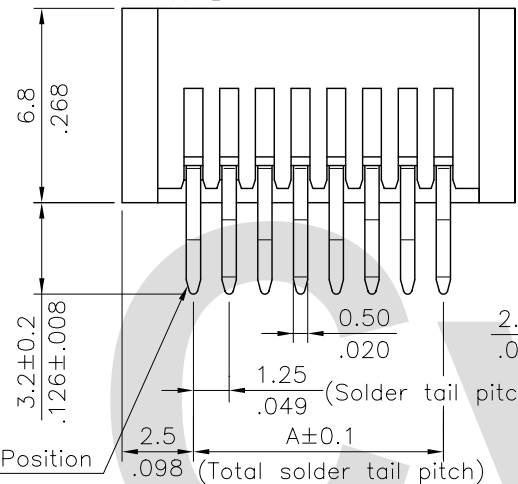


A = 1.25 x No. of Spaces  
 B = A + 5.0  
 C = A + 2.66  
 \* Available in 3 through 36 circuits

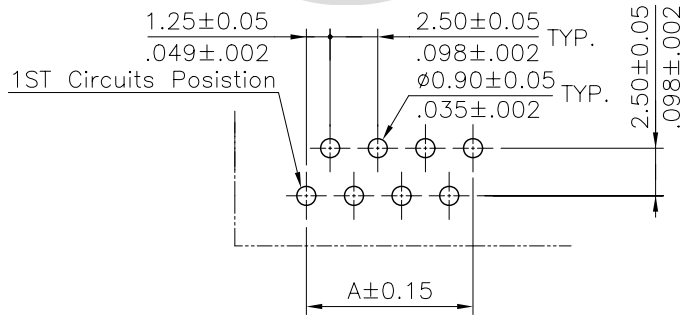
Material:  
 \* Insulation: PBT. with 15% GF.  
 Color Black  
 \* Contact: Phosphor Bronze

Ordering Code  
 CF12 \*\* 1 V0 T 0  
 ① ② ③ ④ ⑤ ⑥

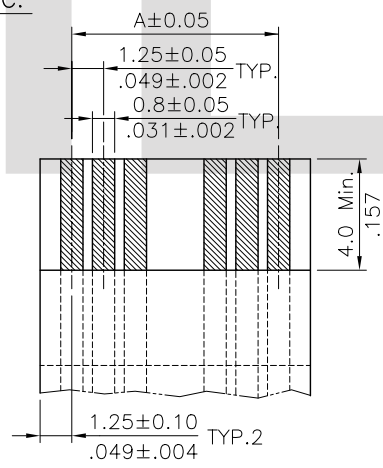
- ① Series No.
- ② No. of Circuits
- ③ Plating code:  
 1 = 2.54μm(100μ") Tin over  
 0.76μm(30μ") Nickel
- ④ Contact type : V0= Straight Dip type
- ⑤ Packing : T= Tube Packaged
- ⑥ Other option: 0= Standard



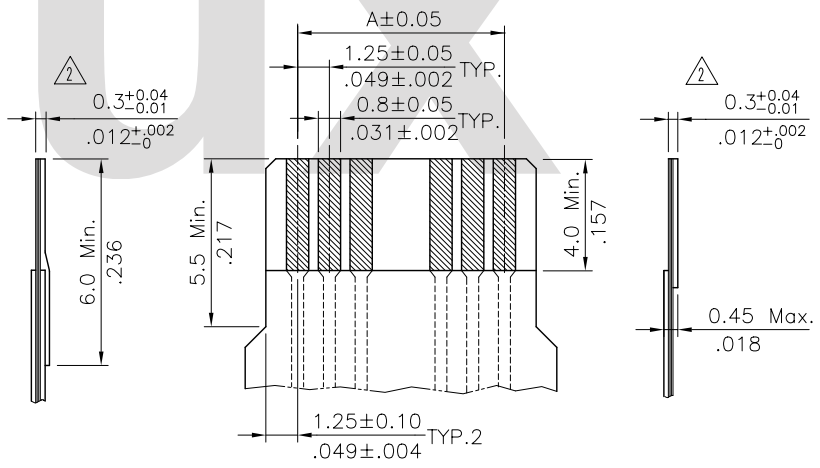
1ST Circuits Position



Recommended P.C. Board Layout



\* ACCOMMODATED FFC



\* ACCOMMODATED FPC

RoHS Compliant

④																			
③																			
②	Sandy	9/22-07'	ECN07381/ECRO7065-1		DRAWN BY:	Sandy	9/22-07'	UNIT: mm / inch TOLERANCE UNLESS OTHERWISE SPECIFIED .X ± 0.15/.006 X' ± 1' .XX ± 0.10/.004 X' ± .XXX ± 0.05/.002 XX' ±	TITLE: 1.25mm(.049") ST. DIP TYPE LIF FFC/FPC CONNECTOR		瀚荃股份有限公司 CviLux Corporation	DRAWING NO.	CF1201SE	PART NO.	CF12**1VOTO				
①	Eisley	1/9-06"	ECN06010		ENGINEER:	Eisley	9/28-07'		MATERIAL:			SCALE	3 / 1	SHEET	1 OF 1				
SYM	NAME	DATE	REVISIONS		CHECKED BY:	David	9/28-07'		FINISH:										
				APPROVED BY:	Alex	9/28-07'													