

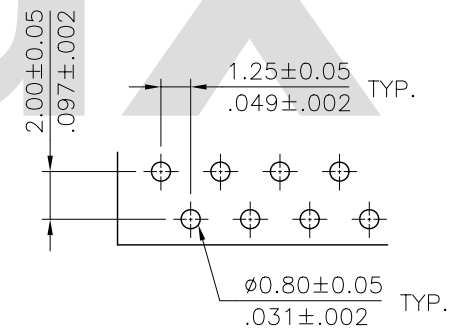
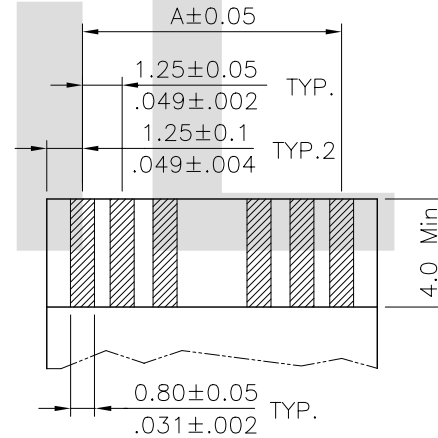
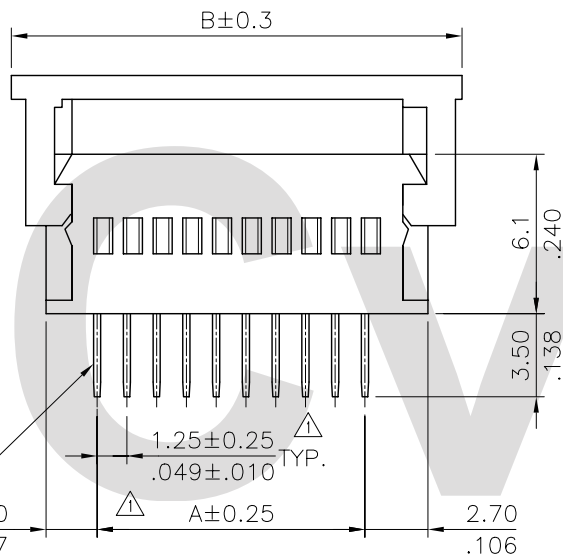
Material:

- * Insulation: Glass filled polyester UL 94V-0
- * Contact: Phosphor Bronze

Ordering Code

CF01 ** 1 V 0 00
 ① ② ③ ④ ⑤ ⑥

- ① Series No.
- ② No. of Circuits
- ③ Plating code:
1 = Tin plated over Nickel
- ④ Entry option: V = Straight
- ⑤ Color: 0 = Nature
- ⑥ Other options: 00 = Standard



Accommodated FPC/FFC
 (Thickness: 0.3mm±0.05)

Recommended P.C. Board Layout

A = 1.25 * No. of Spaces

B = A + 7.05

C = A + 2.7

* Available in 3 through 32 circuits

RoHS Compliant

4					DATE	UNIT: mm / inch	TITLE: 1.25mm(.049")	瀚荃股份有限公司 CviLux Corporation
3					DRAWN BY: Karen	TOLERANCE UNLESS OTHERWISE SPECIFIED	ZIF FFC/FPC SOCKET	
2					ENGINEER: Easley	.X ± 0.25/.010 X' ± 1'	MATERIAL:	DRAWING NO. CF0103SB PART NO. CF01**1V000
1	Karen	10/1-08'	ECN08494/ECR08076-0	CHECKED BY: David	10/07-08'	.XX ± 0.15/.006 X' ±	FINISH:	
SYM	NAME	DATE	REVISIONS	APPROVED BY: Alex	10/07-08'	.XXX ± 0.08/.003 .XX' ±		SCALE 3 / 1 SHEET 1 OF 1

CIVILUX.XORP
 2008.10.14
 ISSUED