

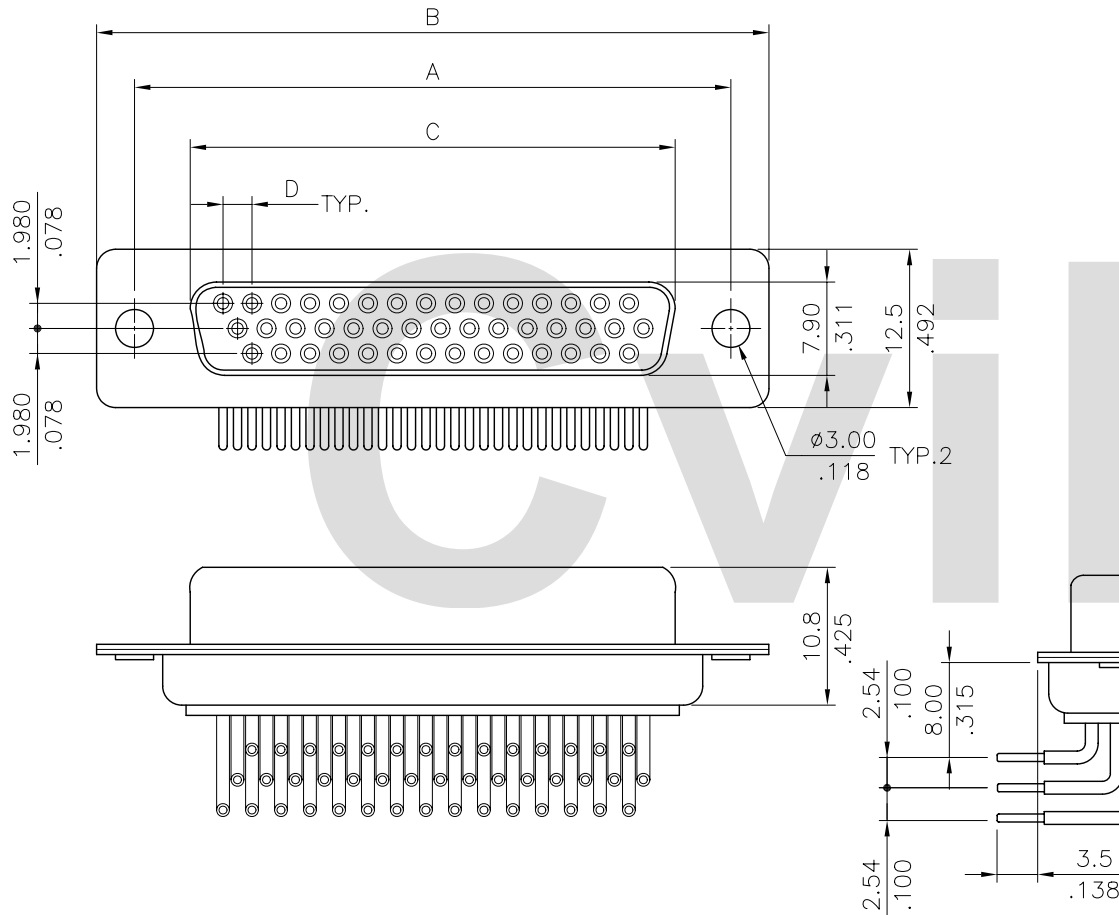
Material:

Insulator: Glass filled Polyester UL 94V-0

Color Black or White

Contact: Brass

Shell: Steel, Tin plated as standard




Circuits	Dimension			
	A	B	C	D
15	25.00(.984)	30.8(1.213)	16.30(.642)	2.290(.090)
26	33.32(1.312)	39.2(1.543)	24.60(.969)	2.290(.090)
44	47.04(1.852)	53.1(2.091)	38.30(1.508)	2.290(.090)
62	63.50(2.500)	69.4(2.732)	54.80(2.157)	2.410(.095)

Ordering Code :

CD77 44 S * * 00

① ② ③ ④ ⑤ ⑥

- Series No.
- Contacts: 15,26,44,62
- Contact type : P=plug , S=Receptacle
- Contact Plating :
 - 2 = Gold flash plated over 1.27 μ m(50 μ) Nickel
 - 3 = 0.38 μ m(15 μ) Gold plated over 1.27 μ m(50 μ) Nickel
 - 4 = 0.76 μ m(30 μ) Gold plated over 1.27 μ m(50 μ) Nickel
 - 5 = 1.27 μ m(50 μ) Gold plated over 1.27 μ m(50 μ) Nickel
- Insulator Color :
 - 1=Black , 0=White
- Other option :
 - 00 = With ϕ 3.00mm holes on shell

4					DATE	UNIT: mm / inch	TITLE: HIGH DENSITY D-SUB SOLDER PIN RIGHT ANGLE FEMALE CONNECTOR (MACHINED CONTACT)	 瀚荃股份有限公司 CviLux Corporation
3					8/31 00'	TOLERANCE UNLESS OTHERWISE SPECIFIED	MATERIAL:	
2					8/31 00'	.X \pm 0.30/.012 X' \pm 1'	FINISH:	
1					8/31 00'	.XX \pm 0.20/.008 X' \pm		
SYM	NAME	DATE	REVISIONS	APPROVED BY:	Alex	8/31 00'	.XXX \pm 0.10/.004 .XX' \pm	DRAWING NO. CD7702SA PART NO. CD77**S**00
								SCALE 2 / 1 SHEET 1 OF 1

