

Material:

\* Insulator: Glass filled polyester UL 94V-0

\* Contact: Brass

\* Shell: Steel, Tin plated as standard

Recommended P.C. Board Layout see drawing No. CD5303S\*

Ordering Code:

CD54 25 P 2 1 00  
① ② ③ ④ ⑤ ⑥

- ① Series No.
- ② Contacts
- ③ Contact type: P= Plug (Male)
- ④ Plating option:

2= Gold flash plated over 1.27μm(50μ") Nickel

A= Selective Gold flash plated over 1.27μm(50μ") Nickel

B= Selective 0.38μm(15μ") Gold plated over 1.27μm(50μ") Nickel

C= Selective 0.76μm(30μ") Gold plated over 1.27μm(50μ") Nickel

⑤ Color: 1= Black

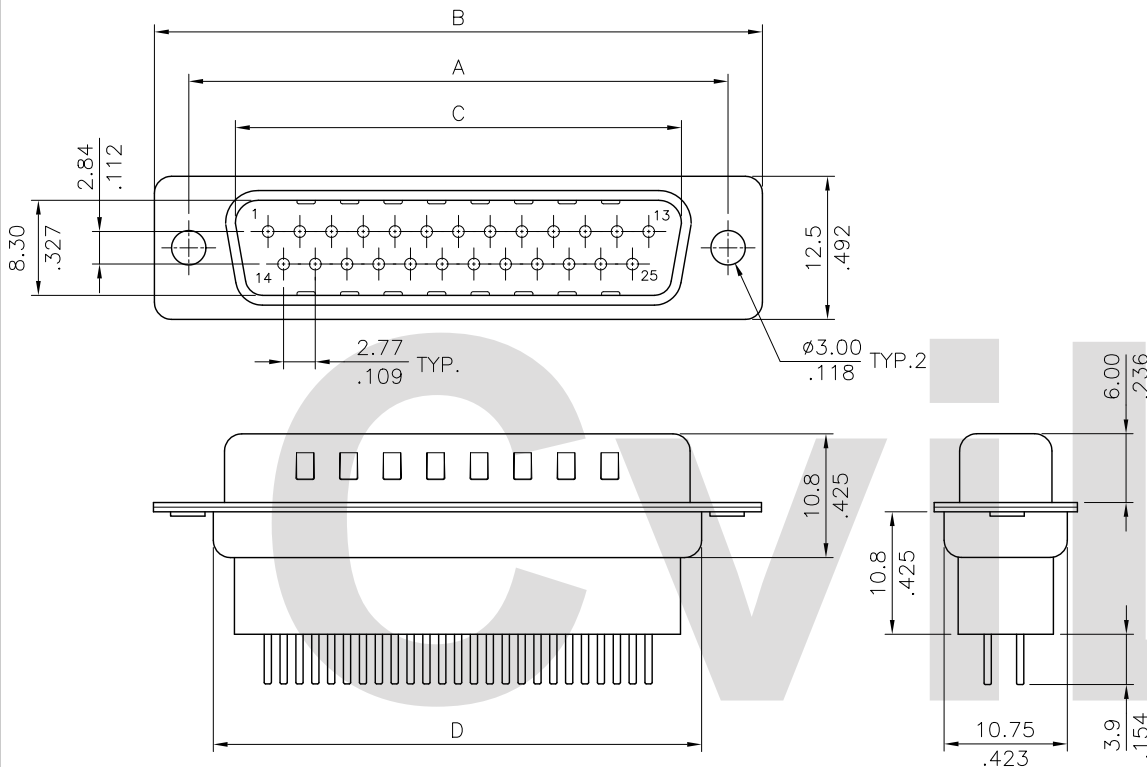
⑥ Other Option:

△ 00 = With ø3.00mm holes on shell(Standard)

B0 = Riveted #4-40 UNC open nuts on front shell

C0 = Riveted #4-40 UNC open nuts on rear shell

D0 = Riveted #4-40 UNC close ground stand-off on rear shell



Circuits	Dimension			
	A	B	C	D
9	25.00(.984)	30.8(1.213)	16.92(.666)	19.20(.756)
15	33.32(1.312)	39.2(1.543)	25.25(.994)	27.70(1.091)
25	47.04(1.852)	53.1(2.091)	38.96(1.534)	41.10(1.618)
37	63.50(2.500)	69.4(2.732)	55.42(2.182)	57.30(2.256)

Mounting Style				Lead Free Process	RoHS Compliant		
Code	00	Code	B0	Code	C0	Code	D0
			DIM. L= 4.0mm		DIM. L= 4.0mm		DIM. L=10.7mm

④					DATE	UNIT: mm / inch	TITLE: D-SUB TOP ENTRY HIGH PROFILE BOARD MOUNT MALE CONNECTOR	瀚荃股份有限公司 CviLux Corporation
③					DRAWN BY: Sandy	TOLERANCE UNLESS OTHERWISE SPECIFIED	MATERIAL:	
②	Sandy	3/25-10'	ECN10079	2010.04.27	ENGINEER: Eisley	.X ±0.30/.012 X' ± 1'	FINISH:	DRAWING NO. CD5402SE PART NO. CD54**P1**
①	Jessie	9/24-03'	ECN03310	ISSUED	CHECKED BY: David	.XX ±0.20/.008 X' ±		SCALE 2 / 1 SHEET 1 OF 1
SYM	NAME	DATE	REVISIONS		APPROVED BY: David	.XXX ±0.10/.004 X' ±		