

Material:

* Insulator: Glass filled polyester UL 94V-0

* Contact: Brass

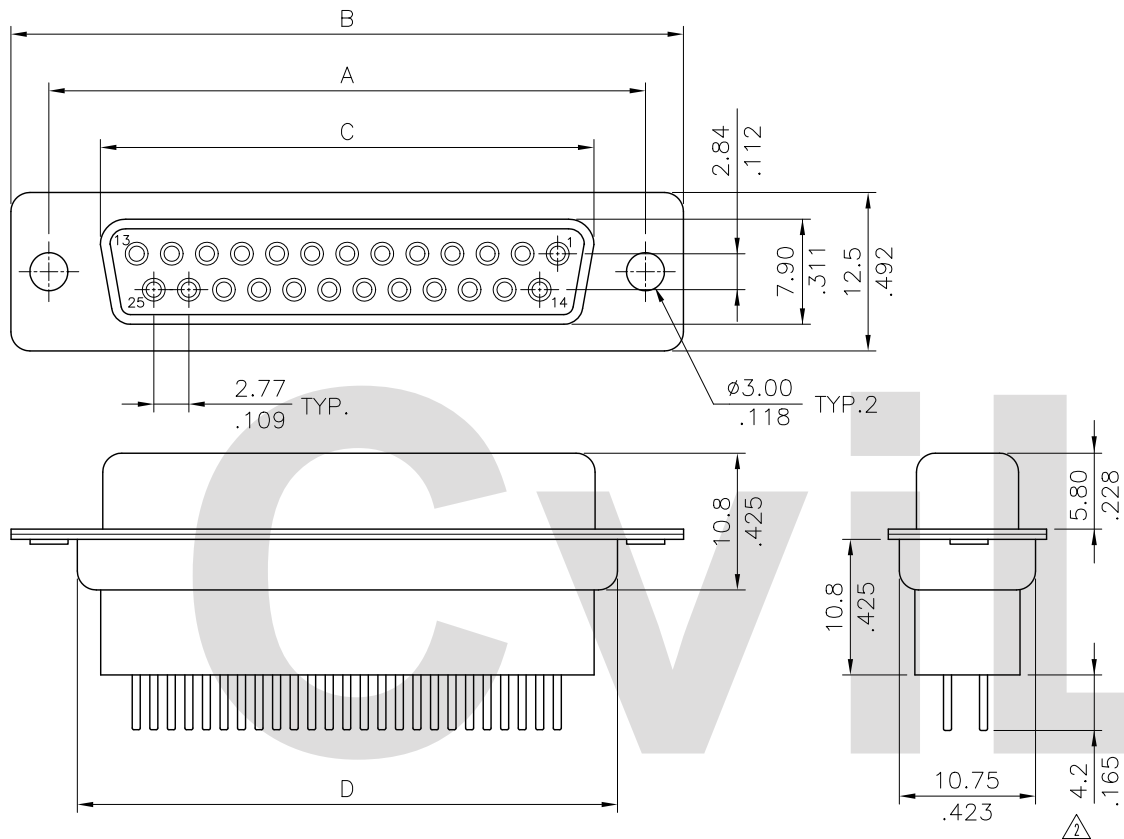
* Shell: Steel, Tin plated as standard

Recommended P.C. Board Layout see drawing No. CD5303S*

Ordering Code:

$\frac{CD54}{①}$
 $\frac{25}{②}$
 $\frac{S}{③}$
 $\frac{2}{④}$
 $\frac{1}{⑤}$
 $\frac{00}{⑥}$

- ① Series No.
- ② Contacts
- ③ Contact type: S= Socket (Female)
- ④ Plating option:
 2= Gold flash plated over 1.27 μ m(50 μ "") Nickel
 A= Selective Gold flash plated over 1.27 μ m(50 μ "") Nickel
 B= Selective 0.38 μ m(15 μ "") Gold plated over 1.27 μ m(50 μ "") Nickel
 C= Selective 0.76 μ m(30 μ "") Gold plated over 1.27 μ m(50 μ "") Nickel
- ⑤ Color: 1= Black
- ⑥ Other Option:
 ⚠ 00 = With ϕ 3.00mm holes on shell(Standard)
 B0 = Riveted #4-40 UNC open nuts on front shell
 C0 = Riveted #4-40 UNC open nuts on rear shell
 D0= Riveted #4-40 UNC close ground stand-off on rear shell



Circuits	Dimension			
	A	B	C	D
9	25.00(.984)	30.8(1.213)	16.30(.642)	19.20(.756)
15	33.32(1.312)	39.2(1.543)	24.60(.969)	27.70(1.091)
25	47.04(1.852)	53.1(2.091)	38.30(1.508)	41.10(1.618)
37	63.50(2.500)	69.4(2.732)	54.80(2.157)	57.30(2.256)

Mounting Style				Lead Free Process		RoHS Compliant	
Code	00	Code	B0	Code	C0	Code	D0
			DIM. L= 4.0mm		DIM. L= 4.0mm		DIM. L=10.7mm

④					DATE	UNIT: mm / inch	TITLE: D-SUB TOP ENTRY HIGH PROFILE BOARD MOUNT FEMALE CONNECTOR	瀚荃股份有限公司 CviLux Corporation	
③	Sandy	3/25-10'	ECN10079	DRAWN BY: Sandy	3/26-10'	TOLERANCE UNLESS OTHERWISE SPECIFIED	MATERIAL:		
②	Karen	3/25-09'	ECN09153/ECR09039-0	ENGINEER: Eisley	4/12-10'	.X \pm 0.30/.012	.X' \pm 1"	SCALE 2 / 1	SHEET 1 OF 1
①	Jessie	9/24-03'	ECN03310	CHECKED BY: David	4/12-10'	.XX \pm 0.20/.008	.X' \pm		
SYM	NAME	DATE	REVISIONS	APPROVED BY: David	4/12-10'	.XXX \pm 0.10/.004	.XX' \pm		

2010.04.27
ISSUED