

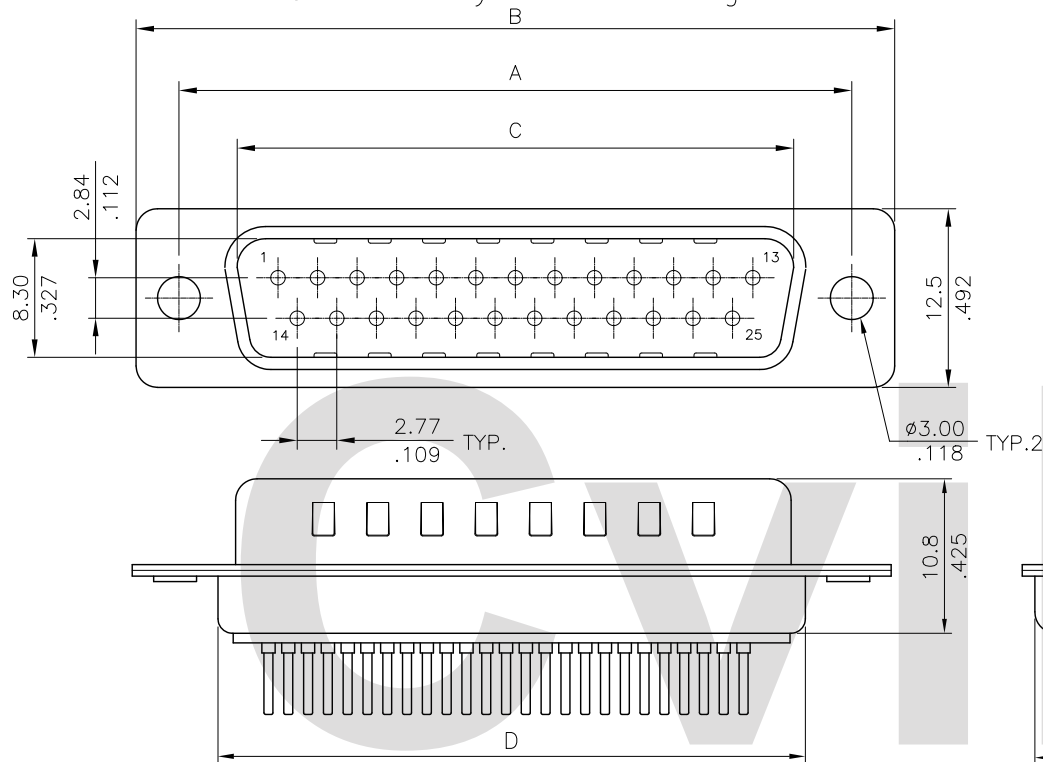
Material:

* Insulator: Glass filled polyester UL 94V-0

* Contact: Brass

* Shell: Steel, Tin plated as standard

Recommended P.C. Board Layout see drawing No. CD5303S*



Ordering Code:

CD53 25 P 2 1 00
 ① ② ③ ④ ⑤ ⑥

- ① Series No.
- ② Contacts: 9,15,25,37
- ③ Contact type: P= Plug(Male)
- ④ Plating option:
 2= Gold flash plated over Nickel
 A= Selective Gold flash plated over Nickel
 B= Selective 0.38 μ m(15 μ "") Gold plated over 1.27 μ m(50 μ "") Nickel
 C= Selective 0.76 μ m(30 μ "") Gold plated over 1.27 μ m(50 μ "") Nickel
- ⑤ Color: 1= Black, 0= White
- ⑥ Other Option:
 △ 00 = With $\phi 3.00$ mm holes on shell(Standard)
 B0 = Riveted #4-40 UNC open nuts on front shell
 C0 = Riveted #4-40 UNC open nuts on rear shell
 △ D0 = Riveted #4-40 UNC ground stand-off on rear shell

Circuits	Dimension			
	A	B	C	D
9	25.00(.984)	30.8(1.213)	16.92(.666)	19.20(.756)
15	33.32(1.312)	39.2(1.543)	25.25(.994)	27.70(1.091)
25	47.04(1.852)	53.1(2.091)	38.96(1.534)	41.10(1.618)
37	63.50(2.500)	69.4(2.732)	55.42(2.182)	57.30(2.256)

Mounting Style

Code	00	Code	B0	Code	C0	Code	D0
			DIM. L= 4.0mm		DIM. L= 4.0mm		DIM. L= 6.0mm

Lead Free Process

RoHS Compliant

SYM	NAME	DATE	REVISIONS	APPROVED BY:	DATE
4					
3					
2	Sandy	3/25-10'	ECN10079	ENGINEER:	Eisley 4/12-10'
1	SUN	8/27/03'	ECN03269	CHECKED BY:	David 4/12-10'
				APPROVED BY:	David 4/12-10'

CVILUX CORP
 2010.04.27
 ISSUED

UNIT: mm / inch	TITLE: D-SUB MALE CRIMP CLIP SERIES
TOLERANCE UNLESS OTHERWISE SPECIFIED	MATERIAL:
.X $\pm 0.30/.012$ X' $\pm 1'$	FINISH:
.XX $\pm 0.20/.008$.X' \pm	
.XXX $\pm 0.10/.004$.XX' \pm	

瀚荃股份有限公司
 CviLux Corporation

DRAWING NO.	CD5302SF	PART NO.	CD53**P****
SCALE	2 / 1	SHEET	1 OF 1