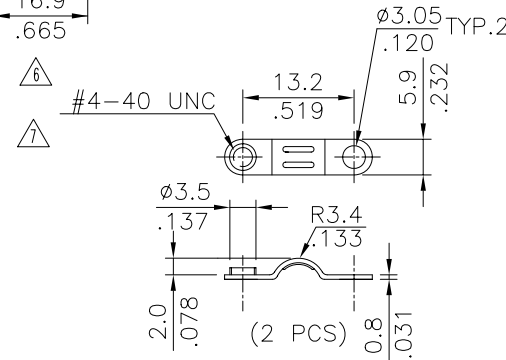
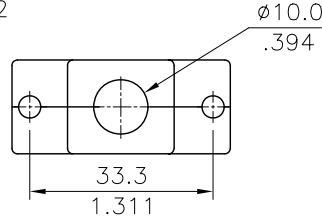
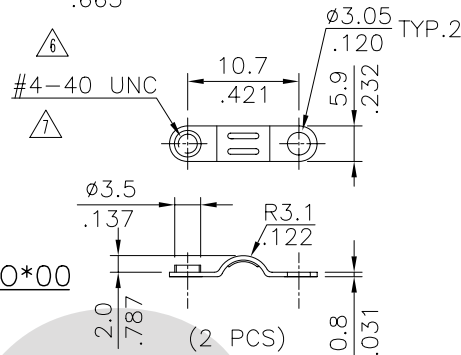
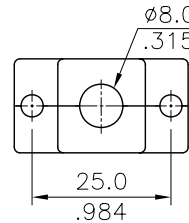
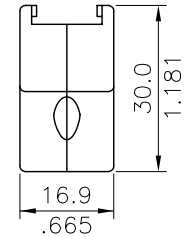
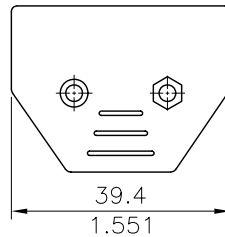
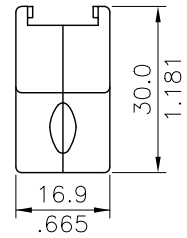
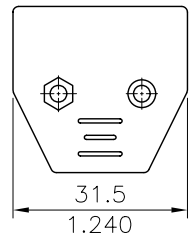


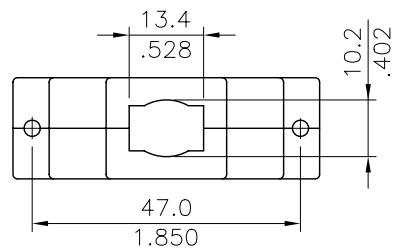
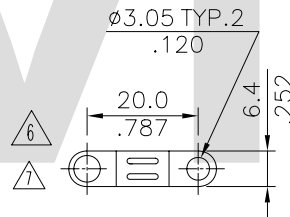
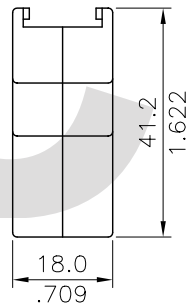
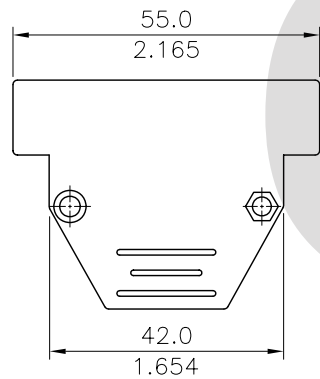
Material:

- * Hood: ABS UL 94HB
Color Black or Metalized
- * Screw: Steel with Nickel plated
- * Cable Clipper: Steel with Nickel plated

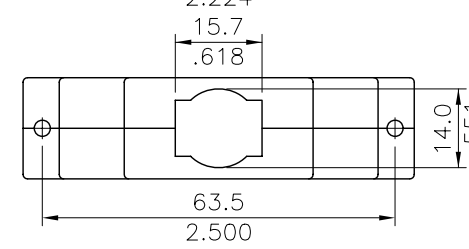
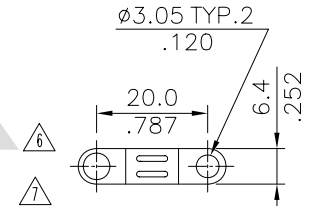
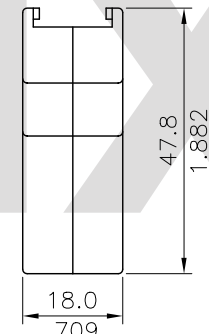
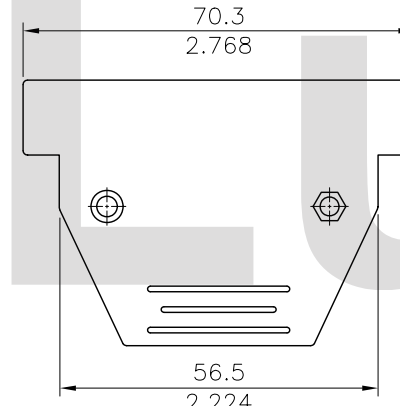
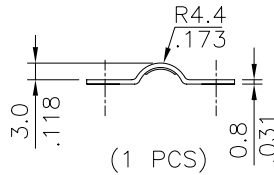


P/N: CD4409HO*00

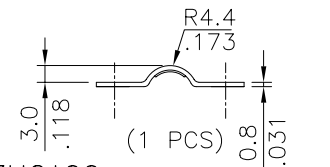
P/N: CD4415HO*00



P/N: CD4425HO*00

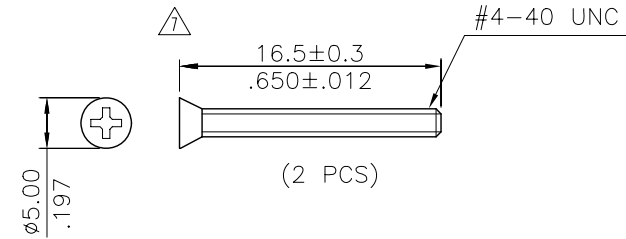
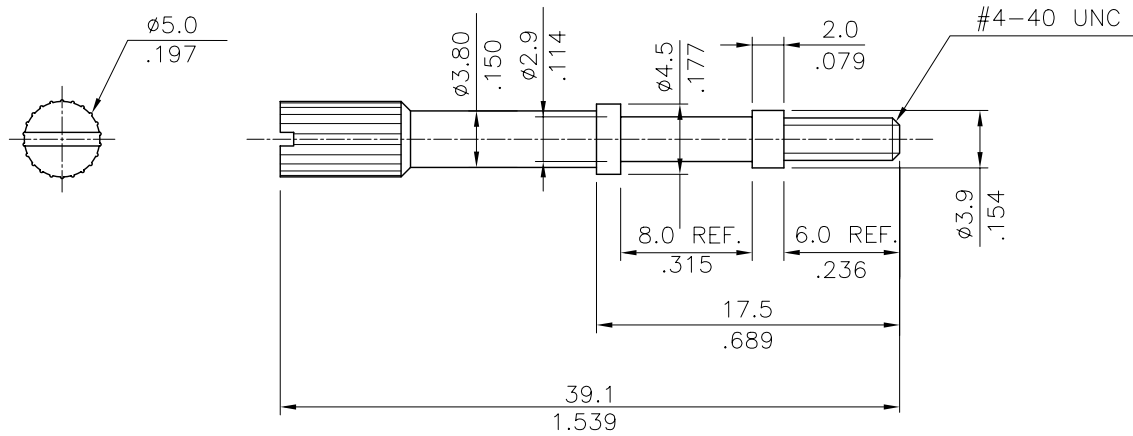


P/N: CD4437HO*00

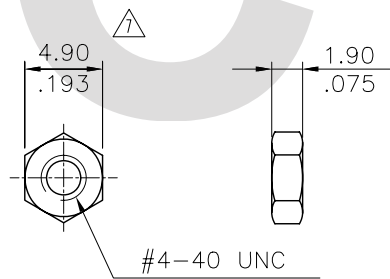


RoHS Compliant

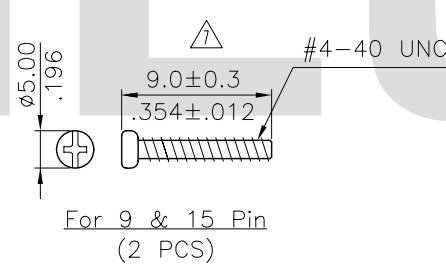
5	Sun	11/11-04	ECN04454		DATE	UNIT: mm / inch	TITLE: D-SUB CONNECTOR ACCESSORIES (PLASTIC HOOD & ACCESSORY SCREW)	 瀚荃股份有限公司 CviLux Corporation	
8	Karen	8/17-09'	ECN09417/ECR09109-0		DRAWN BY: Karen	8/17-09'	TOLERANCE UNLESS OTHERWISE SPECIFIED		MATERIAL:
7	Bill	12/07/07	ECN07499/ECR07132-0		ENGINEER: Eisley	8/18-09'	.X ± 0.38/015 X' ± 1"		FINISH:
6	Bill	9/11-07	ECR07112-0/ECN07373		CHECKED BY: David	8/18-09'	.XX ± 0.25/010 .X' ±		DRAWING NO. CD4401SJ
SYM	NAME	DATE	REVISIONS		APPROVED BY: Alex	8/18-09'	.XXX ± .XX' ±		PART NO. CD44**HO*00
								SCALE 1 / 2	
								SHEET 1 OF 2	



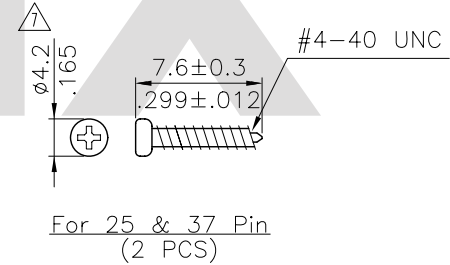
P/N: CDHWE104S00
(2 PCS)



P/N: CDHWE101N00
(2 PCS)



For 9 & 15 Pin
(2 PCS)



For 25 & 37 Pin
(2 PCS)

RoHS Compliant

5	Sun	11/11-04	ECN04454			DATE	UNIT: mm / inch	TITLE: D-SUB CONNECTOR ACCESSORIES (PLASTIC HOOD & ACCESSORY SCREW)	瀚荃股份有限公司 CviLux Corporation			
8	Karen	8/17-09	ECN09417/ECR09109-0		DRAWN BY:	Karen	8/17-09	TOLERANCE UNLESS OTHERWISE SPECIFIED		MATERIAL:		
7	Bill	12/07/07	ECN07499/ECR07132-0		ENGINEER:	Eisley	8/18-09	.X ± 0.38/.015 .X' ± 1'		FINISH:		
6	Bill	9/11-07	ECR07112-0/ECN07373		CHECKED BY:	David	8/18-09	.XX ± 0.25/.010 .X' ±	DRAWING NO.	CD4401SJ	PART NO.	CD44**H0*00
SYM	NAME	DATE	REVISIONS		APPROVED BY:	Alex	8/18-09	.XXX ± .XX' ±	SCALE	2 / 1	SHEET	2 OF 2