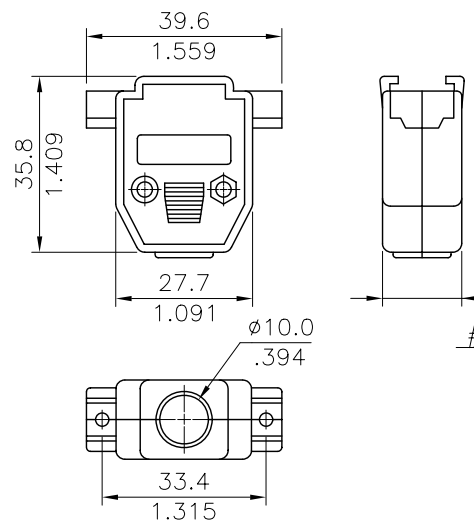
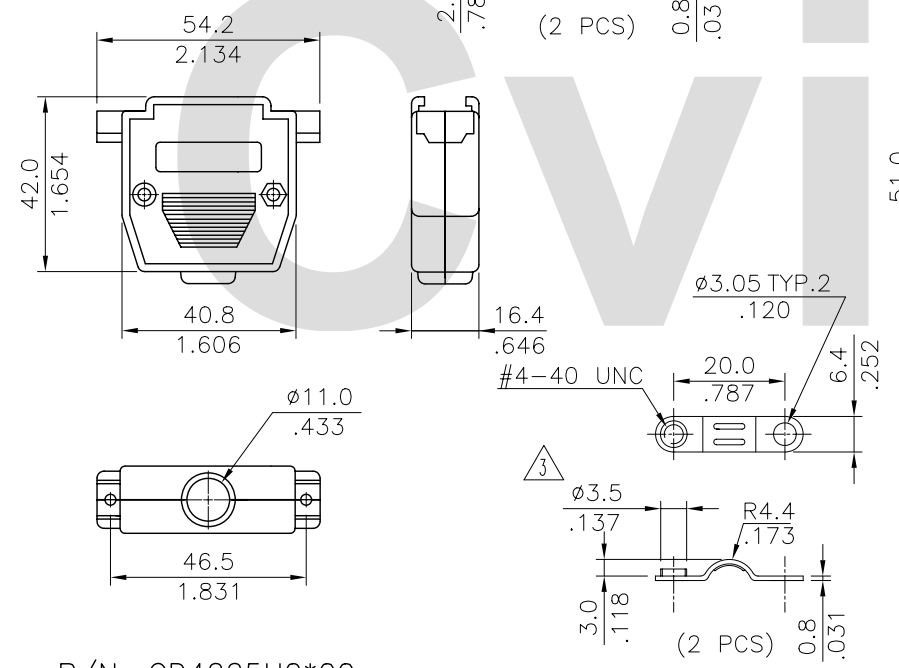
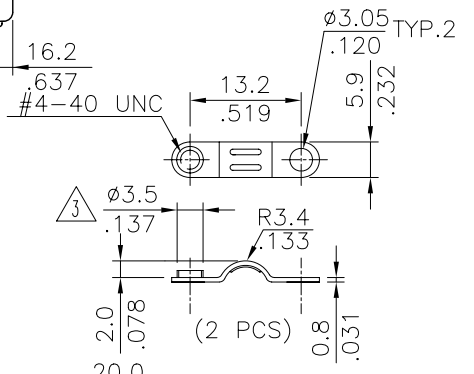


P/N: CD4209H0*00

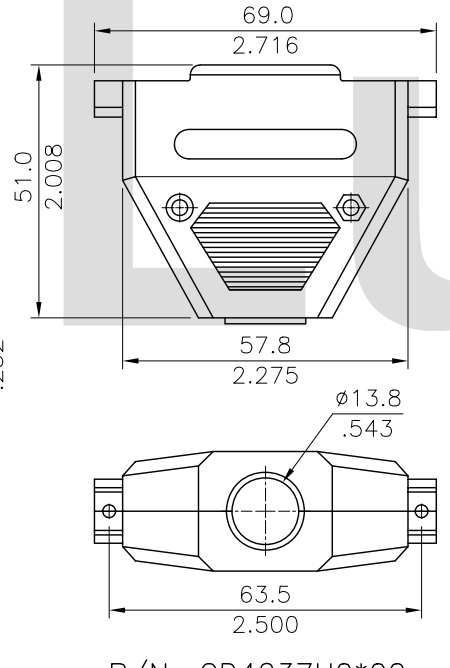


P/N: CD4215H0*00

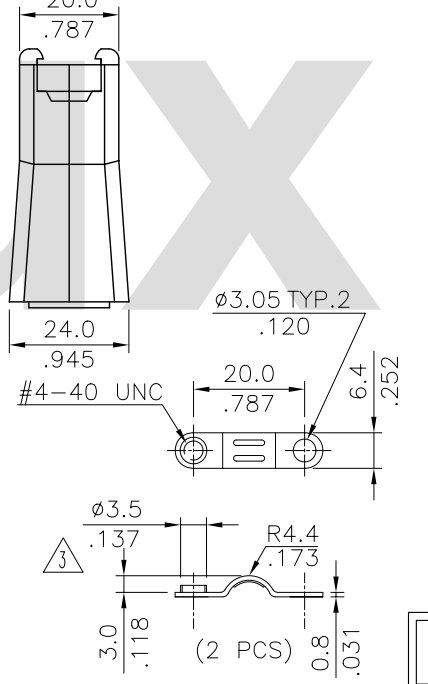
Material:
 * Hood: ABS UL 94HB
 Color Black or Gray
 * Screw: Steel with Nickel plated
 * Cable Clipper: Steel with Nickel plated



P/N: CD4225H0*00

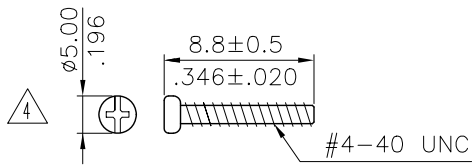


P/N: CD4237H0*00

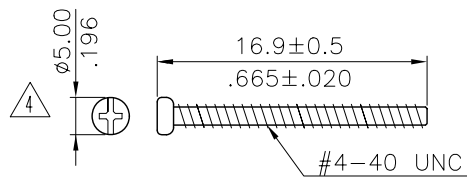


RoHS Compliant

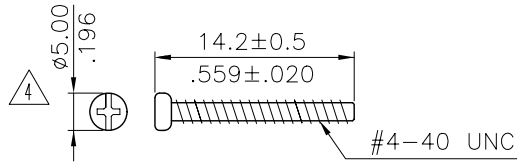
6	Karen	12/1-08'	ECN08596/ECR08096-0		DATE	UNIT: mm / inch	TITLE: D-SUB CONNECTOR ACCESSORIES (PLASTIC HOOD & ACCESSORY SCREW)	 瀚荃股份有限公司 CviLux Corporation	
5	Karen	8/26/08'	ECN08414		DRAWN BY: Karen	1/6-09'	TOLERANCE UNLESS OTHERWISE SPECIFIED		MATERIAL:
4	Bill	12/07/07'	ECN07499/ECR07132-0		ENGINEER: Easley	1/9-09'	.X ± 0.38/.015 X' ± 1'		FINISH:
3	Bill	9/11/07'	ECN07373/ECR07112-0		CHECKED BY: David	1/9-09'	.XX ± 0.25/.010 X' ±	DRAWING NO. CD4201SJ	PART NO. CD42**H0*00
SYM	NAME	DATE	REVISIONS		APPROVED BY: Alex	1/9-09'	.XXX ± .XX' ±	SCALE 1 / 2	SHEET 1 OF 2



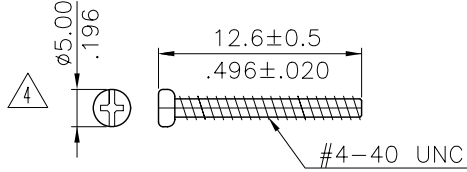
For 9.15.25 Pin
(2 PCS)



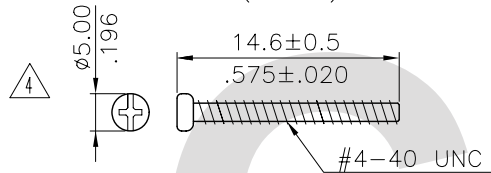
For 37 Pin
(2 PCS)



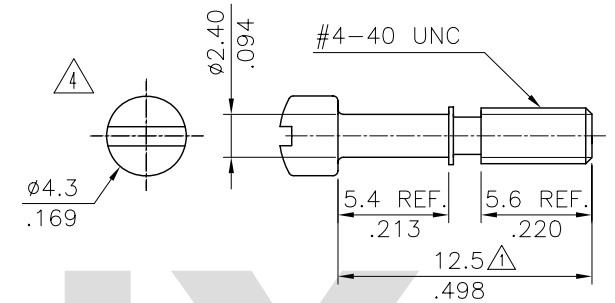
For 9 Pin
(2 PCS)



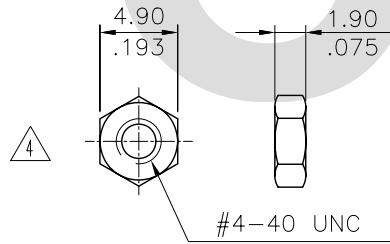
For 37 Pin
(2 PCS)



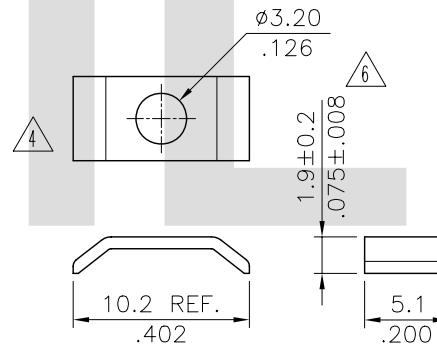
For 15.25 Pin
(2 PCS)



P/N: CDHWE102S00
(2 PCS)





P/N: CDHWE101N00
(2 PCS)



P/N: CDHW0004W00
(2 PCS)

RoHS Compliant

6	Karen	12/1-08'	ECN08596/ECR08096-0	 2009.02.04 ISSUED		DATE	UNIT: mm / inch	TITLE: (PLASTIC HOOD & ACCESSORY SCREW)	 瀚荃股份有限公司 CviLux Corporation	
5	Karen	8/26/08'	ECN08414		DRAWN BY: Karen	1/6-09'	TOLERANCE UNLESS OTHERWISE SPECIFIED	MATERIAL:		DRAWING NO. CD4201SJ
4	Bill	12/07/07'	ECN07499/ECR07132-0		ENGINEER: Eisley	1/9-09'	.X ± 0.38/.015 X* ± 1'	FINISH:		PART NO. CD42**H0*00
3	Bill	9/11/07'	ECN07373/ECR07112-0		CHECKED BY: David	1/9-09'	.XX ± 0.25/.010 X* ±		SCALE 1 / 2	
SYM	NAME	DATE	REVISIONS		APPROVED BY: Alex	1/9-09'	.XXX ±		SHEET 2 OF 2	