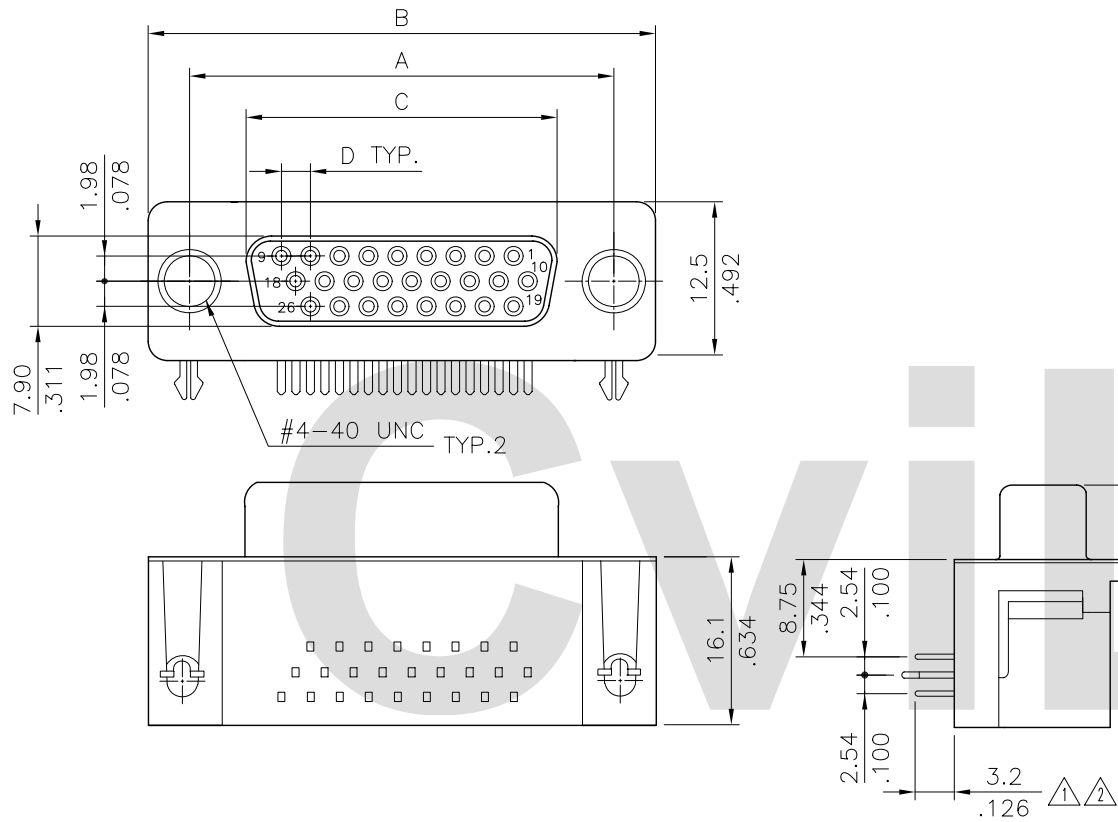


Materials:

- \* Insulator: Glass filled polyester UL 94V-0
- \* Contacts: Copper alloy
- \* Shell: Steel, Tin plated as standard

Recommended P.C. Board Layout see drawing No. CD0505S\*



Ordering Code

CD05 26 S 2 1 F0  
 ① ② ③ ④ ⑤ ⑥

- ① Series No.
- ② No. of Circuits
- ③ Contact type: S= Receptacle(Female)
- ④ Plating option:  
 2= Gold flash plated over Nickel  
 A= Selective Gold flash plated over Nickel  
 B= Selective 0.38μm(15μ") Gold plated over 1.27μm(50μ") Nickel  
 C= Selective 0.76um(30μ") Gold plated over 1.27μm(50μ") Nickel
- ⑤ Color: 1= Black; 0= White; 7= Blue
- ⑥ Other Option:  
 F0= Riveted ground hooks with #4-40 UNC open (Standard)  
 G0= Riveted ground hooks pre-loaded #4-40 UNC Hex screw  
 I0= Riveted ground tabs thread #4-40 UNC open and ground tabs with ø3.2mm holes  
 J0= Assembly ground hooks by #4-40 UNC Hex screw

Circuits	Dimension			
	A	B	C	D
15	25.00(.984)	30.8(1.213)	16.30(.642)	2.29(.090)
26	33.32(1.312)	39.2(1.543)	24.60(.969)	2.29(.090)
44	47.04(1.852)	53.1(2.091)	38.30(1.508)	2.29(.090)
62	63.50(2.500)	69.4(2.732)	54.80(2.157)	2.41(.095)

Mounting Style				RoHS Compliant			
Code	F0	Code	G0	Code	I0	Code	J0
DIM. L= 4.8mm		ø A= 3.2mm		DIM. L= 4.8mm			

④					DATE	UNIT: mm / inch	TITLE: HIGH-DENSITY D-SUB PCB MOUNT FEMALE CONNECTOR	瀚荃股份有限公司 CviLux Corporation
③					DRAWN BY: Jim 9/28 06'	TOLERANCE UNLESS OTHERWISE SPECIFIED	MATERIAL:	
②	Jim	9/28/06'	ECR06088-0/ECN06354	2006.09.28 ISSUED	ENGINEER: EisleY 9/28 06'	.X ± 0.30/.012 X.* ± 1'	FINISH:	DRAWING NO. CD0503SH PART NO. CD05**S*1**
①	Jim	8/23/06'	ECR06066-0/ECN06264		CHECKED BY: David 9/28 06'	.XX ± 0.20/.010 .X.* ±		SCALE 2 / 1 SHEET 1 OF 1
SYM	NAME	DATE	REVISIONS		APPROVED BY: Alex 9/28 06'	.XXX ± 0.10/.004 .XX.* ±		