

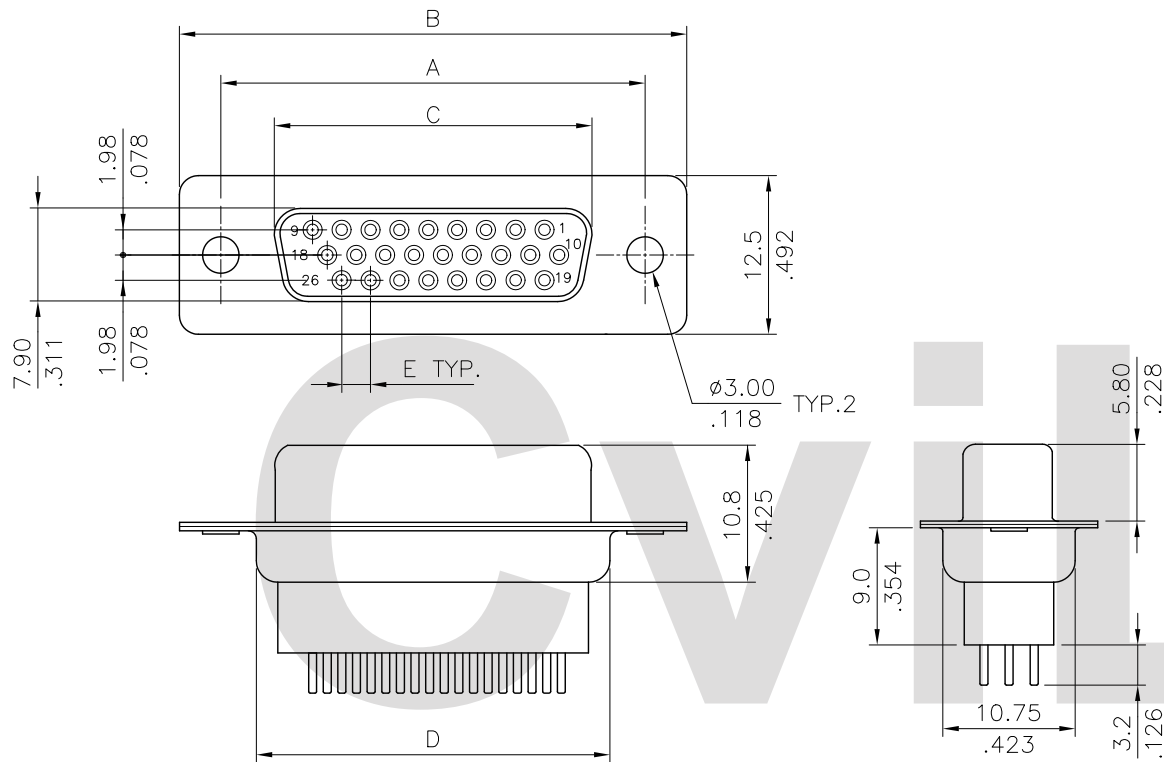
Materials:

* Insulator: Glass filled polyester UL 94V-0

* Contacts: Copper alloy

* Shell: Steel, Tin plated as standard

Recommended P.C. Board Layout see drawing No. CD0303S*



Circuits	Dimension				
	A	B	C	D	E
15	25.00(.984)	30.8(1.213)	16.30(.642)	19.20(.756)	2.29(.090)
26	33.32(1.312)	39.2(1.543)	24.60(.969)	27.70(1.091)	2.29(.090)
44	47.04(1.852)	53.1(2.091)	38.30(1.508)	41.10(1.618)	2.29(.090)
62	63.50(2.500)	69.4(2.732)	54.80(2.157)	57.30(2.256)	2.41(.095)

Ordering Code :

CD04 26 S 2 1 00
 ① ② ③ ④ ⑤ ⑥

- ① Series No.
- ② No. of Circuits
- ③ Contact type: S= Receptacle(Female)
- ④ Plating option:
 2= Gold flash plated over Nickel
 A= Selective Gold flash plated over Nickel
 B= Selective 0.38μm(15μ") Gold plated over 1.27μm(50μ") Nickel
 C= Selective 0.76μm(30μ") Gold plated over 1.27μm(50μ") Nickel
- ⑤ Color: 1= Black
- ⑥ Other Option:
 Δ 00= With ø3.00mm holes on shell(Standard)
 B0= Riveted #4-40 UNC open nuts on front shell
 C0= Riveted #4-40 UNC open nuts on rear shell
 D*= Riveted #4-40 UNC close ground stand-off on rear shell

Lead Free Process

RoHS Compliant

Mounting Style

Code	00	Code	B0	Code	C0	Code	D*
			DIM. L= 4.0mm 		DIM. L= 4.0mm 		

④						DATE	UNIT: mm / inch	TITLE: HIGH-DENSITY D-SUB TOP ENTRY HIGH PROFILE BOARD MOUNT FEMALE CONNECTOR
③						DRAWN BY: Sandy	TOLERANCE UNLESS OTHERWISE SPECIFIED	
②						ENGINEER: Eisley	.X ± 0.30/.012 X' ± 1'	
①	Sandy	3/25-10'	ECN10079			CHECKED BY: David	.XX ± 0.20/.010 .X' ±	
SYM	NAME	DATE	REVISIONS			APPROVED BY: David	.XXX ± 0.10/.004 .XX' ±	

CVILUX CORP
 2010.04.27
 ISSUED

瀚荃股份有限公司
 CviLux Corporation

DRAWING NO.	CD0403SD	PART NO.	CD04**S*1**
SCALE	2 / 1	SHEET	1 OF 1