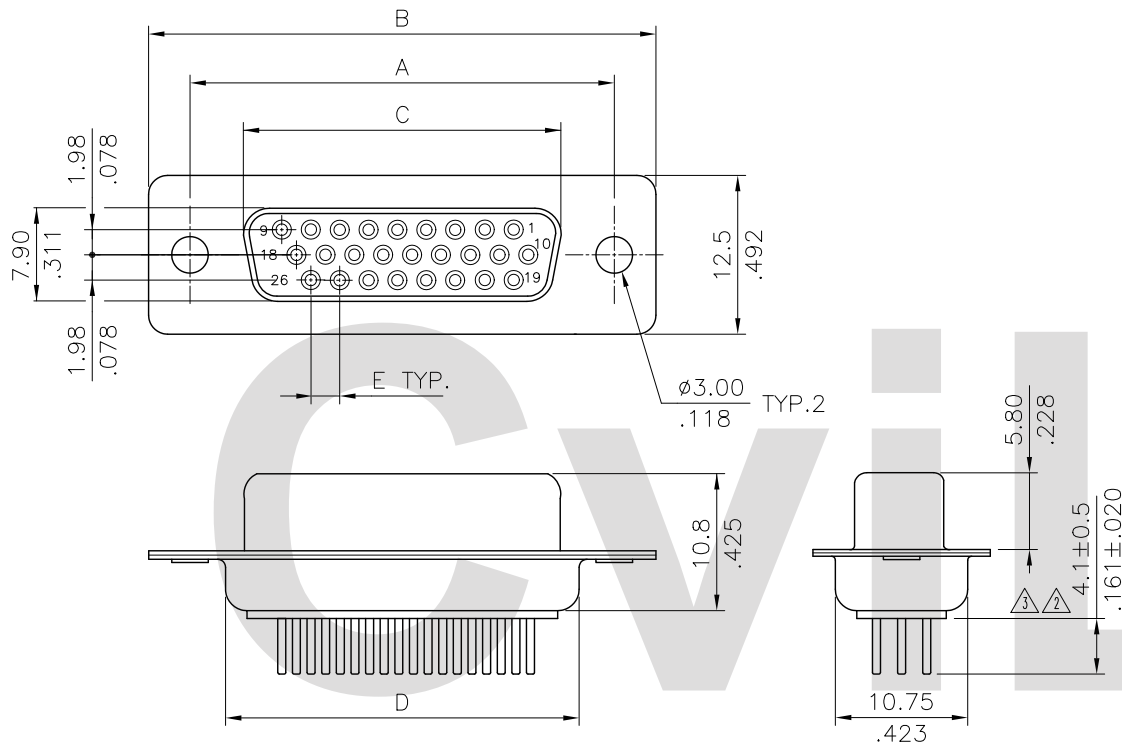


Materials:

- * Insulator: Glass filled polyester UL 94V-0
 - * Contacts: Copper alloy
 - * Shell: Steel, Tin plated as standard
- Recommended P.C. Board Layout see drawing No. CD0303S*



Circuits	Dimension				
	A	B	C	D	E
15	25.00(.984)	30.8(1.213)	16.30(.642)	19.20(.756)	2.29(.090)
26	33.32(1.312)	39.2(1.543)	24.60(.969)	27.70(1.091)	2.29(.090)
44	47.04(1.852)	53.1(2.091)	38.30(1.508)	41.10(1.618)	2.29(.090)
62	63.50(2.500)	69.4(2.732)	54.80(2.157)	57.30(2.256)	2.41(.095)

Ordering Code :

CD03 26 S A 1 00
 ① ② ③ ④ ⑤ ⑥

- ① Series No.
- ② No. of Circuits
- ③ Contact type: S= Receptacle(Female)
- ④ Plating code:
 2= Gold flash plated over Nickel
 A= Selective Gold flash plated over Nickel
 B= Selective 0.38μm(15μ") Gold plated over 1.27μm(50μ") Nickel
 C= Selective 0.76μm(30μ") Gold plated over 1.27μm(50μ") Nickel
- ⑤ Color: 1= Black , 7= Blue
- ⑥ Mounting style:
 △ 00= With ø3.00mm holes on shell(Standard)
 B0= Riveted #4-40 UNC open nuts on front shell
 C0= Riveted #4-40 UNC open nuts on rear shell
 △ D0= Riveted #4-40 UNC ground stand-off on rear shell

Lead Free Process
 RoHS Compliant

Mounting Style							
Code	00	Code	B0	Code	C0	Code	D0
			DIM. L= 4.0mm		DIM. L= 4.0mm		DIM. L= 6.0mm

△4	Sandy	3/25-10'	ECN10079	 2010.04.27 ISSUED		DATE	UNIT: mm / inch	TITLE: HIGH-DENSITY D-SUB TOP ENTRY BOARD MOUNT FEMALE CONNECTOR	 瀚荃股份有限公司 CviLux Corporation
△3	Karen	9/18-08'	ECN08458/ECR08074-0		DRAWN BY: Sandy	3/26-10'	TOLERANCE UNLESS OTHERWISE SPECIFIED	MATERIAL:	
△2	Sandy	12/19/05'	ECN05439/ECR05124-0		ENGINEER: Eisley	4/12-10'	.X ± 0.30/.012 X' ± 1'	FINISH:	
△1	SUN	8/27/03'	ECN03269		CHECKED BY: David	4/12-10'	.XX ± 0.20/.010 .X' ±		
SYM	NAME	DATE	REVISIONS	APPROVED BY: David	4/12-10'	.XXX ± 0.10/.004 .XX' ±		DRAWING NO. CD0301SI PART NO. CD03**S**** SCALE 2 / 1 SHEET 1 OF 1	