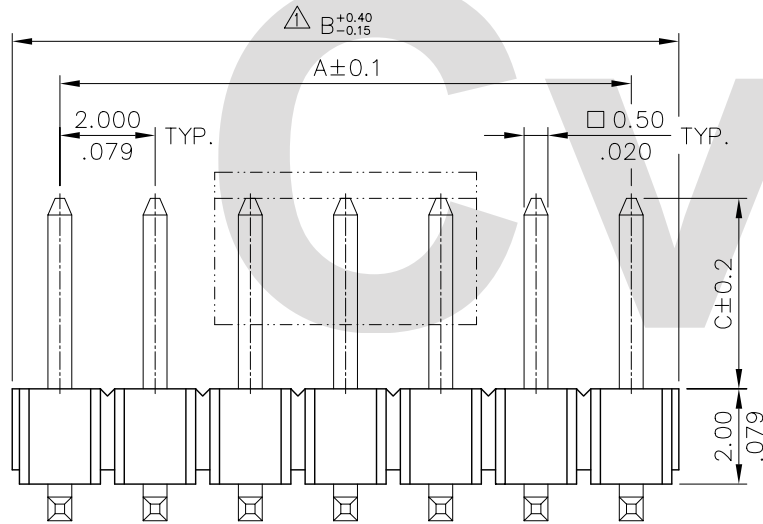
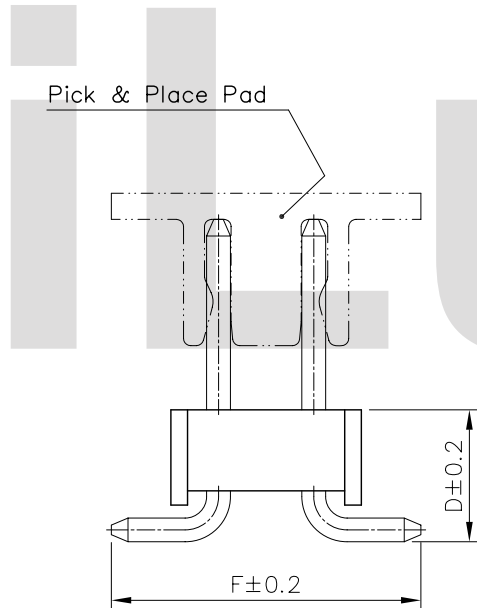


Recommended P.C. Board Layout



DIM. A = 2.00 X No. of Spaces
 DIM. B = DIM. A + 2.00
 * Available in 4 through 80 Citsuits



Material:

- * Insulator: Nylon 6T With 30% GF.
UL 94V-0 Color Black
- * Square Pin: Brass
- * Pick & Place Pad:
Nylon 6T
UL 94V-0 Color Nature

Ordering Code:

CH71 * * M 1 ** - 0 P
 ① ② ③ ④ ⑤ ⑥ ⑦ ⑧

- ① Series No.
- ② No. of Contact: 04 to 80
- ③ Plating code:
 1=3.05 μ m(120 μ ”) Min. Tin
 over 0.79 μ m(30 μ ”) Nickel
 2=Gold Flash plated over
 1.27 μ m(50 μ ”) Nickel
 3=0.38 μ m(15 μ ”) Gold plated
 over 1.27 μ m(50 μ ”) Nickel
 4=0.76 μ m(30 μ ”) Gold plated
 over 1.27 μ m(50 μ ”) Nickel
- ④ Tail & Mounting Style:
M=Straight SMT Type
- ⑤ Insulator Material & Color:
1=Nylon 6T , Color Black
- ⑥ Option Code:
See Table PDF. File No. CH7117T
- ⑦ Pin Size: 0=Original design
- ⑧ 0=Without Pick & Place Pad
(Tube packaged)
P=With Pick & Place Pad
(Tape & Reel packing)

RoHS Compliant

④						DATE	UNIT: mm / inch	TITLE: 2.00mm(.079") DUAL ROW SURFACE BOARD MOUNT PIN HEADER	瀚荃股份有限公司 CviLux Corporation
③			DRAWN BY: Sun		1/24 06'	TOLERANCE UNLESS OTHERWISE SPECIFIED		MATERIAL:	
②	Sun	1/19/06'	ECN06019		ENGINEER: Eisle	1/26 06'	.X ± 0.25/.010 X' ± 1'		DRAWING NO. CH7117SD PART NO. CH71***M1**-0*
①	Sandy	08/27/04'	ECN04327		CHECKED BY: David	1/27 06'	.XX ± 0.15/.006 .X' ±	FINISH:	SCALE 6 / 1 SHEET 1 OF 1
SYM	NAME	DATE	REVISIONS	APPROVED BY: Alex	1/27 06'	.XXX ± 0.10/.004 .XX' ±			