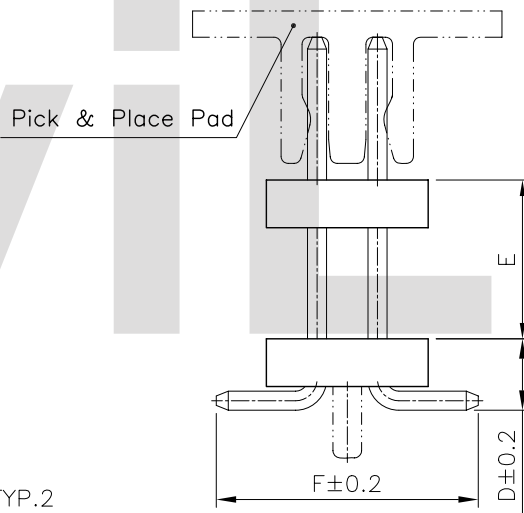
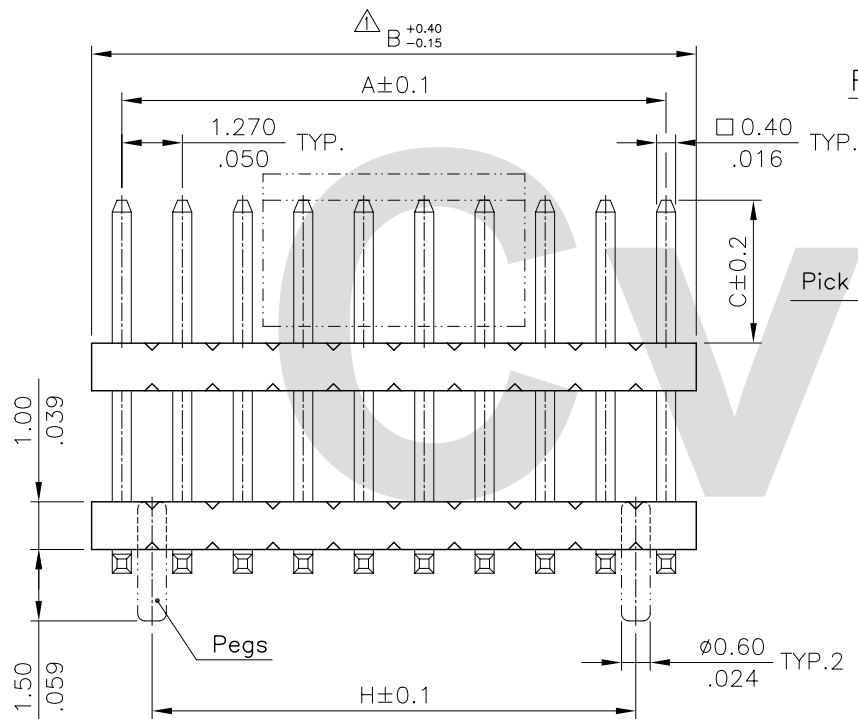


Recommended P.C. Boarded Layout



DIM. A = 1.27 X No. of Spaces
 DIM. B = DIM. A + 1.27
 DIM. H = DIM. A - 1.27

* Available in 6 through 100 Circuits

Material:

- * Insulator: LCP With 30% GF.
UL 94V-0 Color Black
- * Square Pin: Brass
- * Pegs: Brass , Tin plated
- * Pick & Place Pad:
Nylon 6T
UL 94V-0 Color Nature

Ordering Code:

CH54 ** * M 1 ** - * *
 ① ② ③ ④ ⑤ ⑥ ⑦ ⑧

- ① Series No.
- ② No. of Contact: 06 to 100(X1=100)
- ③ Plating code:
2=Gold Flash plated over 1.27µm(50µ") Nickel
3=0.38µm(15µ") Gold plated over 1.27µm(50µ") Nickel
4=0.76µm(30µ") Gold plated over 1.27µm(50µ") Nickel
- ④ Tail & Mounting Style:
M=Straight SMT Type
- ⑤ Insulator Material & Color:
1=LCP , Color Black
- ⑥ Option Code:
See Table PDF. File No. CH5401T
- ⑦ 0=Without Peg
P=With Peg
- △ ⑧ 0=Without Pick & Place Pad (Tube packaged)
P=With Pick & Place Pad (Tape & Reel packing)
A=With Pick & Place Pad (Tube packaged)

RoHS Compliant

△4					DATE	UNIT: mm / inch	TITLE: 1.27mm(.050") DUAL ROW DUAL BODY BOARD MOUNT PIN HEADER	瀚荃股份有限公司 CviLux Corporation
△3				DRAWN BY: Sun	5/4 05'	TOLERANCE UNLESS OTHERWISE SPECIFIED	MATERIAL:	
△2	Sun	05/04/05'	ECN05156	ENGINEER: Eisle	5/6 05'	.X ± 0.25/.010 X' ± 1'	FINISH:	DRAWING NO. CH5401SC PART NO. CH54***M1**-**
△1	Sandy	08/27/04'	ECN04327	CHECKED BY: David	5/6 05'	.XX ± 0.15/.006 .X' ±		SCALE 6 / 1 SHEET 1 OF 1
SYM	NAME	DATE	REVISIONS	APPROVED BY: Alex	5/6 05'	.XXX ± 0.08/.003 .XX' ±		

CIVILUX CORP.
 2005.05.13
 ISSUED