

Notes:

* Material:

Insulator: Nylon 6T With 30% GF.
UL 94V-0 Color Black

Square Pin: Brass

Pick & Place Pad:

Nylon 6T UL 94V-0 Color Nature

△* Pin overall Length 30.0mm Max.

Ordering Code:

CH11 ** * M 1 ** - 0 *
① ② ③ ④ ⑤ ⑥ ⑦ ⑧

① Series No.

② No. of Contact: 02 to 40

③ Plating code:

1=3.05μm(120μ") Min. Tin
over 0.79μm(30μ") Nickel
2=Gold Flash plated over
1.27μm(50μ") Nickel
3=0.38μm(15μ") Gold plated
over 1.27μm(50μ") Nickel
4=0.76μm(30μ") Gold plated
over 1.27μm(50μ") Nickel

④ Tail & Mounting Style:
M=Straight SMT Type

⑤ Insulator Material & Color:
1=Nylon 6T , Color Black

⑥ Option Code:

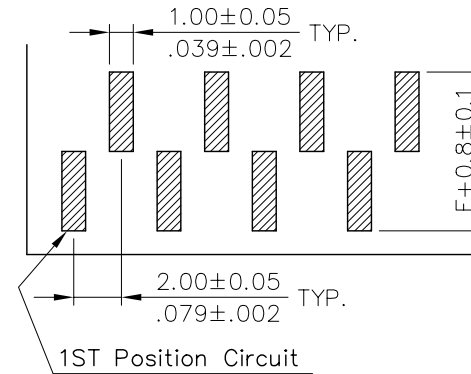
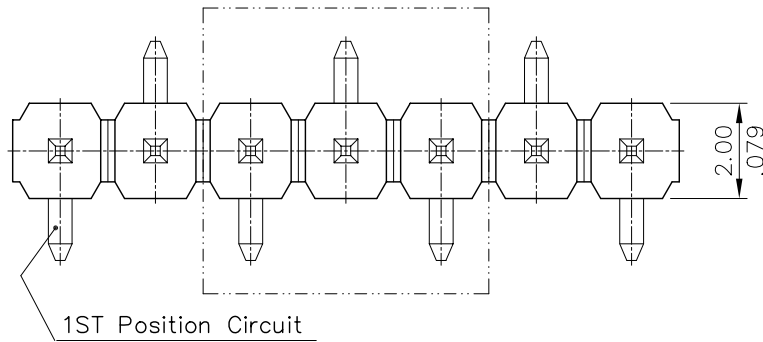
See Table PDF. File No. CH1109T

⑦ Pin Size: 0=Original design

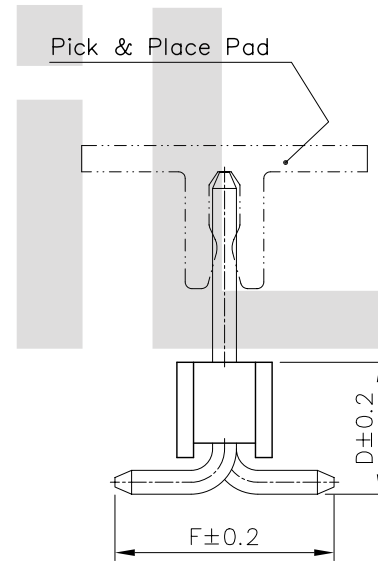
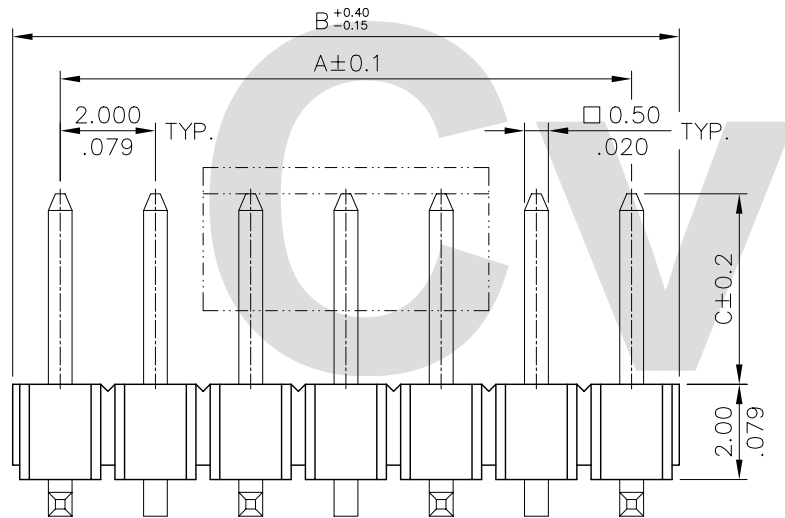
⑧ 0=Without Pick & Place Pad
(Tube packaged)

P=With Pick & Place Pad
(Tape & Reel packing)

RoHS Compliant



Recommended P.C. Board Layout



DIM. A = 2.00 X No. of Spaces

DIM. B = DIM. A + 2.00

* Available in 2 through 40 Circuits

CVILUX.XORP
2008.10.14
ISSUED

SYM	NAME	DATE	REVISIONS	APPROVED BY:	DATE	UNIT: mm / inch	TITLE: 2.00mm(.079") STRAIGHT SINGLE ROW SURFACE BOARD MOUNT PIN HEADER	DRAWING NO.	PART NO.	SHEET	OF					
4																
3																
2	Sun	10/6-08'	ECN08478/ECR08118-1	ENGINEER:	Sun	10/07-08'	TOLERANCE UNLESS OTHERWISE SPECIFIED .X ± 0.25/.010 X' ± 1' .XX ± 0.15/.006 .X' ± .XXX ± 0.10/.004 .XX' ±	MATERIAL:	CH1109SD	PART NO.	CH11***M1**-0*					
1	Sun	5/07/04'	ECN04183	CHECKED BY:	Alex	10/07-08'										
				APPROVED BY:	Alex	10/07-08'						FINISH:	SCALE	6 / 1	SHEET	1 OF 1

瀚荃股份有限公司
CviLux Corporation