

A = 2.00 \* No. of Spaces

B = A + 2.4

\* Available in 4 through 80 circuits

Material:

\* Insulation: High Temperature Plastic UL 94V-0

\* Contact: Phosphor Bronze

Ordering Code:

CB74 \*\* 2 V 1 00  
 ① ② ③ ④ ⑤ ⑥

① Series No.

② NO. of Circuits:

③ Plating code:

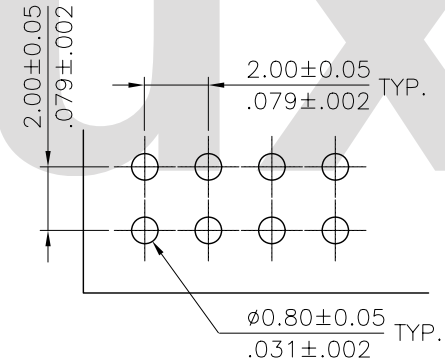
2= Gold flash plated over

1.27μm(50μ") Nickel

④ Tail Style: V= Straight

⑤ Color: 1= Black

⑥ Options: 00= Standard



Recommended P.C. Board Layout

RoHS Compliant

⑥	Sun	2/05-07'	ECN07055			DATE	UNIT: mm / inch	TITLE: 2.00MM(.079") DUAL ROW BOARD MOUNT CONNECTOR	 瀚荃股份有限公司 CviLux Corporation	
⑤	Clark	11/03-06'	ECN06404		DRAWN BY: Sandy	3/14-07'	TOLERANCE UNLESS OTHERWISE SPECIFIED			
④	Sandy	10/05-06'	ECN06346/ECR06055-1		ENGINEER: Eisley	3/15-07'	.X ± 0.30 / .012 X' ± 1"	MATERIAL:		
③	Sandy	3/14-07'	ECN07006		CHECKED BY: David	3/15-07'	.XX ± 0.20 / .008 .X' ±	FINISH:		
SYM	NAME	DATE	REVISIONS		APPROVED BY: Alex	3/15-07'	.XXX ± 0.10 / .004 .XX' ±			DRAWING NO. CB7401SI
									SCALE 4 / 1	SHEET 1 OF 1