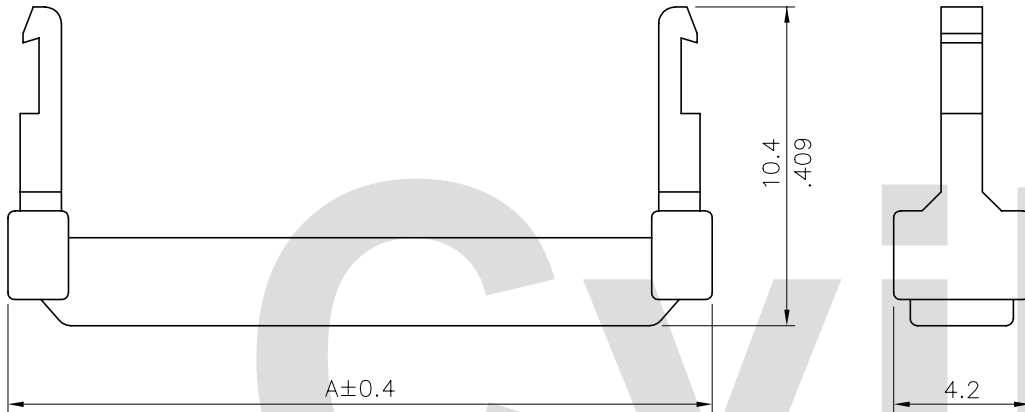


Material: Glass filled polyester UL 94V-0

Ordering Code:

CA11 ** SR 100
 ① ② ③ ④

- ① Series No.
- ② No. of Circuits
- ③ SR= Strain-Relief
- ④ Color: 100= Black



Circuits	Dimension	Circuits	Dimension
	A		A
6	11.2(.441)	32	37.2(1.465)
8	13.2(.520)	34	39.2(1.543)
10	15.2(.598)	36	41.2(1.622)
12	17.2(.677)	38	43.2(1.701)
14	19.2(.756)	40	45.2(1.780)
16	21.2(.835)	44	49.2(1.937)
18	23.2(.913)	48	53.2(2.094)
20	25.2(.992)	50	55.2(2.173)
22	27.2(1.071)	56	61.2(2.409)
24	29.2(1.150)	60	65.2(2.567)
26	31.2(1.228)	64	69.2(2.724)
30	35.2(1.386)	68	73.2(2.882)

RoHS Compliant

④					DATE	UNIT: mm / inch	TITLE:	瀚荃股份有限公司 CviLux Corporation
③				DRAWN BY: Jim	9/19 06'	TOLERANCE	2.00MM(.79") STRAIN RELIEF	
②				ENGINEER: Eisley	9/20 06'	UNLESS OTHERWISE SPECIFIED	MATERIAL:	
①				CHECKED BY: David	9/21 06'	.X ± 0.30/.012	.X' ± 1"	FINISH:
SYM	NAME	DATE		APPROVED BY: Alex	9/21 06'	.XX ± 0.20/.008	.X' ±	
	REVISIONS				.XXX ±	.XX' ±	SCALE 3 / 1	SHEET 1 OF 1