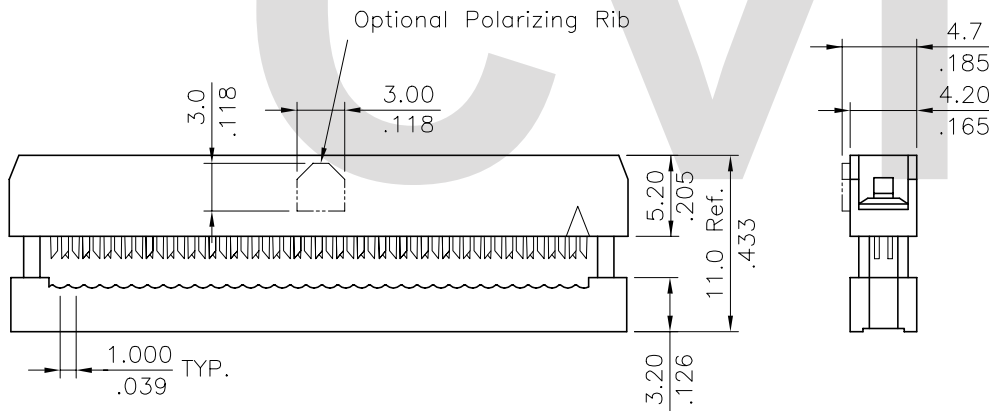
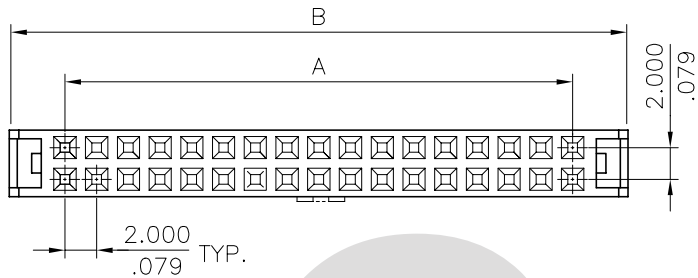


Material:

* Insulation: Glass filled polyester UL 94V-0

* Contact: Phosphor Bronze



Circuits	Dimension		Circuits	Dimension	
	A	B		A	B
6	4.00(.157)	11.2(.441)	32	30.00(1.181)	37.2(1.465)
8	6.00(.236)	13.2(.520)	34	32.00(1.260)	39.2(1.543)
10	8.00(.315)	15.2(.598)	36	34.00(1.339)	41.2(1.622)
12	10.00(.394)	17.2(.677)	38	36.00(1.417)	43.2(1.701)
14	12.00(.472)	19.2(.756)	40	38.00(1.496)	45.2(1.780)
16	14.00(.551)	21.2(.835)	44	42.00(1.654)	49.2(1.937)
18	16.00(.630)	23.2(.913)	48	46.00(1.811)	53.2(2.094)
20	18.00(.709)	25.2(.992)	50	48.00(1.890)	55.2(2.173)
22	20.00(.787)	27.2(1.071)	56	54.00(2.126)	61.2(2.409)
24	22.00(.866)	29.2(1.150)	60	58.00(2.283)	65.2(2.567)
26	24.00(.945)	31.2(1.228)	64	62.00(2.441)	69.2(2.724)
30	28.00(1.102)	35.2(1.386)	68	66.00(2.598)	73.2(2.882)

Ordering Code:

CA11 ** S A 1 00

① ② ③ ④ ⑤ ⑥

① Series No.

② No. of Circuits :

③ S= Receptacle

④ Plating option :

A= Selective Gold flash plated over 1.27 μ m(50 μ "") Nickel

B= Selective 0.38 μ m(15 μ "") Gold Plated over 1.27 μ m(50 μ "") Nickel

C= Selective 0.76 μ m(30 μ "") Gold plated over 1.27 μ m(50 μ "") Nickel

⑤ Color : 1= Black

⑥ Option : 00= With Polarizing Rib(Standard)

A0= Without Polarizing Rib

RoHS Compliant

SYM	NAME	DATE	REVISIONS	APPROVED BY:	DATE	UNIT: mm / inch	TITLE:	瀚荃股份有限公司 CviLux Corporation					
4						UNIT: mm / inch	2.00MM(.079") IDC SOCKET	DRAWING NO. CA1101SF PART NO. CA11**SA100					
3						TOLERANCE UNLESS OTHERWISE SPECIFIED	MATERIAL:				SCALE 2 / 1 SHEET 1 OF 1		
2						.X \pm 0.30/.012 .X' \pm r	FINISH:						
1	JIM	9/19 06'	ECN06328	CHECKED BY: David	9/21 06'	.XX \pm 0.20/.008 .X' \pm							
				APPROVED BY: Alex	9/21 06'	.XXX \pm 0.10/.004 .XX' \pm							

