



SPECIFICATION FOR APPROVAL

Part name: Din-Rail Terminal Block(RTB)

Part No.: RTB404-04-01-9

Cust. P/N:

Date: 2008-1-17

Seller Confirmation

Written by	Gene Chou
Checked by	Wesley Yi
Approved by	Jim Chen

Customer Confirmation

Project Audit	
Structure Audit	
Security Certification	
Quality Approval	

Supplier : Hangzhou antron electronics Co., Ltd.

Address : No.639 , Deng yun Road , Hangzhou China

Tel : 0571-89902210

Fax : 0571-89908128

Postcode: 310011

E-mail : anqiao@263.net

Customer:

Customer P/N:

Seller: Hangzhou antron electronics Co., Ltd. Part No: RTB404-04-01-9

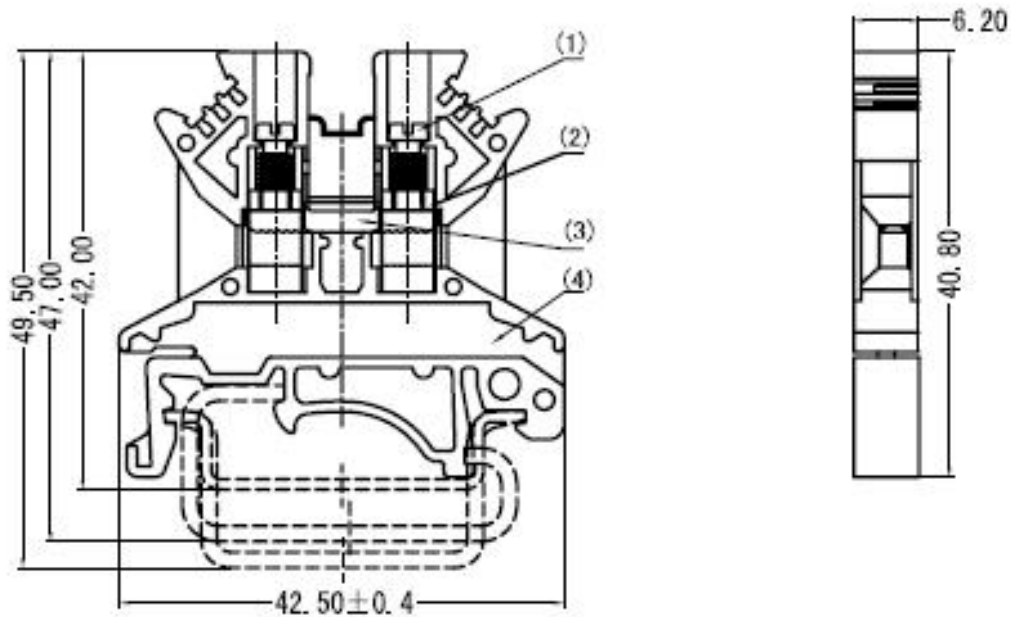
Revision for RTB404-04-01-9

Item No	Edition	Part Revised	Date Revised
1	A	Initial Release	2008-1-17
2			
3			
4			
5			
6			
7			
8			
9			

1.TYPE: RTB404-04-01-9



2.DRAWING&SIZES



OVERALL SIZES

TOLERANCE:

> 120	±0.80
> 30 ~ 120	±0.50
> 6 ~ 30	±0.40
0 ~ 6	±0.25

3.BOM TABLE

ITEM.	PART NAME	MATERIAL	SURFACE OF CONTACT	QUANTITY (PCS)
(1)	HOUSING	PA66(UL94 V-0)		1
(2)	SCREW	Brass H59	Ni Plated 5um	2
(3)	CONTACT	Brass H59	Sn Plated 2um	2
(4)	BLOCK	Brass H59	Sn Plated 2um	1

5. TECHNICAL DATA:

WIRE RANGE:	24~12AWG
MAX. TORQUE:	0.6 Nm
ELECTRICAL RATING:	300V, 20A.
DIELECTRIC WITHSTAND:	AC3000V, 1 minute
BREAKDOWN VOLTAGE:	8000V (1.2/50 μ s),
CROSS SECTION:	4mm ²
STRIPPING LENGTH:	8mm

6. WORKING CONDITION:

OPERATING TEMPERATURE:	-40 $^{\circ}$ C ~ +105 $^{\circ}$ C
ALTITUDE:	Less than 2000m 40Kpa ~ 80KPa
RELATIVE HUMIDITY:	5% ~ 95%
POLLUTION DEGREE:	III

7. APPLICABLE STANDARDS

IEC 60947-1:2001	IEC 60947-7-1:2002	UL 1059:2001
------------------	--------------------	--------------

七. ACCESSORIES

MOUNTING RAIL:	JNS35:7.5/JNS35:15/JNS32
END COVER:	A205

SEPARATING PLATE: A060-9

MARKING STRIP: A061-10-5

8. PROCEDURE

Wires can be connected with this type of terminal blocks by a manual or automatic screwdriver of M3.

9. PACKAGE

Tightly Sealed