



# SPECIFICATION FOR APPROVAL

Part name: Din-Rail Terminal Block

Part No.: RTB406-00-01-9

Cust. P/N:

Date: 2009-7-28

## Seller Confirmation

Written by	Zhujiwei
Checked by	SJ.Fu
Approved by	Bill

## Customer Confirmation

Project Audit	
Structure Audit	
Security Certification	
Quality Approval	

Supplier : Hangzhou antron electronics Co., Ltd.

Address : No.639 , Deng yun Road , Hangzhou China

Tel : 0571-89902210

Fax : 0571-89908128

Postcode: 310011

E-mail : anqiao@263.net

**Customer:**

**Customer P/N:**

**Seller: Hangzhou antron electronics Co., Ltd. Part No: RTB406-00-01-9**

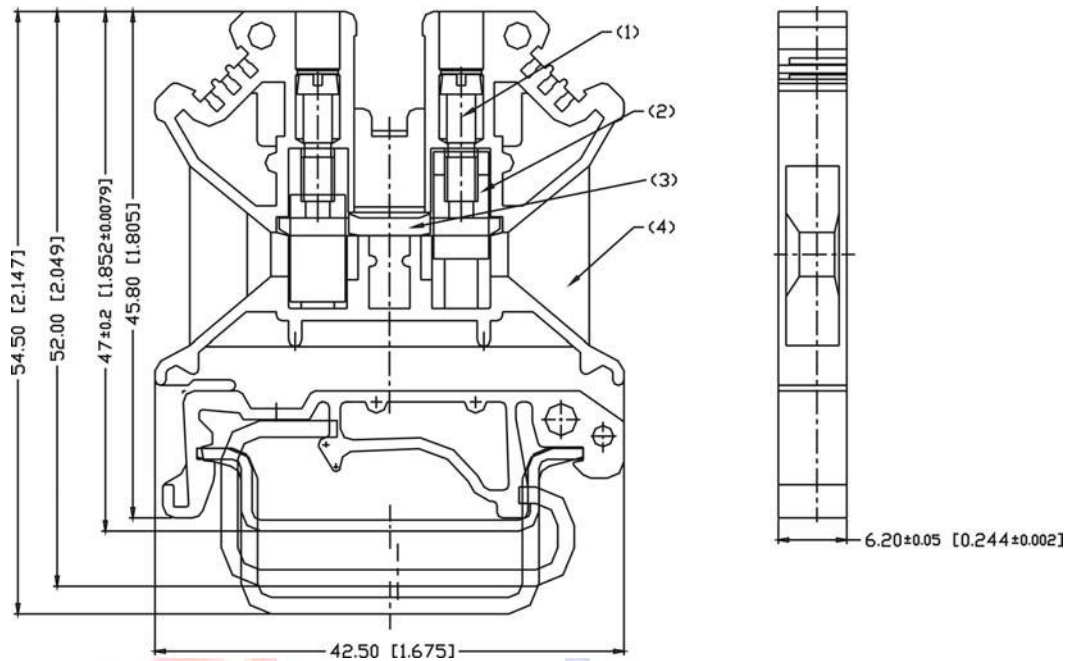
**Revision for RTB406-00-01-9**

<b>Item No</b>	<b>Edition</b>	<b>Part Revised</b>	<b>Date Revised</b>
<b>1</b>	<b>A</b>	<b>put in file</b>	<b>2009-07-28</b>
<b>2</b>			
<b>3</b>			
<b>4</b>			
<b>5</b>			
<b>6</b>			
<b>7</b>			
<b>8</b>			
<b>9</b>			

**1.TYPE: RTB406-00-01-9**



## 2.DRAWING&SIZES



### OVERALL SIZES

**TOLERANCE:**

> 120	±0.80
> 30 ~ 120	±0.50
> 6 ~ 30	±0.40
0 ~ 6	±0.25

## 3.BOM TABLE

ITEM.	PART NAME	MATERIAL	SURFACE OF CONTACT	QUANTIT Y(PCS)
(1)	SCREW	BRASS H59	Pure mist Tin Plated 5um	2
(2)	BLOCK	BRASS H59	Nickel Plated 5um	2
(3)	Crush	Copper T2(Y)	Pure mist Tin Plated 5um	1
(4)	Crust	PA66 UL94 V-0		1

#### 4. TECHNICAL DATA:

WIRE RANGE:	10~30AWG
MAX. TORQUE:	5~7 lbf.in
ELECTRICAL RATING:	600V,30A.
DIELECTRIC WITHSTAND:	AC3000V, 1 minute
BREAKDOWN VOLTAGE:	8000V (1.2/50 $\mu$ s)
CROSS SECTION:	6mm <sup>2</sup>
STRIPPING LENGTH:	8mm

#### 5. WORKING CONDITION:

OPERATING TEMPERATURE:	-40 $^{\circ}$ C ~ +105 $^{\circ}$ C
ALTITUDE:	Less than 2000m 40Kpa ~ 80KPa
RELATIVE HUMIDITY:	5% ~ 95%
POLLUTION DEGREE:	III

#### 6. APPLICABLE STANDARDS

IEC 60947-1:2001      IEC 60947-7-1:2002      UL 1059:2001

#### 7. ACCESSORIES

MOUNTING RAIL:	JNS35:7.5/JNS35:15/JNS32
COVER:	A044-9
SEPARATING PLATE:	A142-9
MARKING STRIP:	A061-10-5
Fixed bridge:	A071-10-22
Separating Disk:	A048-9
Rail stator:	GD001    or    A047-9

## **8.PROCEDURE**

**Wires can be connected with this type of terminal blocks by a manua or automatic screwdriver.**

## **9. PACKAGE**

**Tightly Sealed**



Attention