



# 承认书

SPECIFICATION FOR APPROVAL

Part name: Din-Rail Terminal Block(RTB)

Part No.: RTB425-02-01

Cust. P/N:

Date: 2007-07-06

## Seller Confirmation

Written by	lijianli
Checked by	yishangyan
Approved by	jim

## Customer Confirmation

Project Audit	
Structure Audit	
Security Certification	
Quality Approval	

Supplier : Hangzhou antron electronics Co., Ltd.

Address : No.639 , Deng yun Road , Hangzhou China

Tel : 0571-89902210

Fax : 0571-89908128

Postcode: 310011

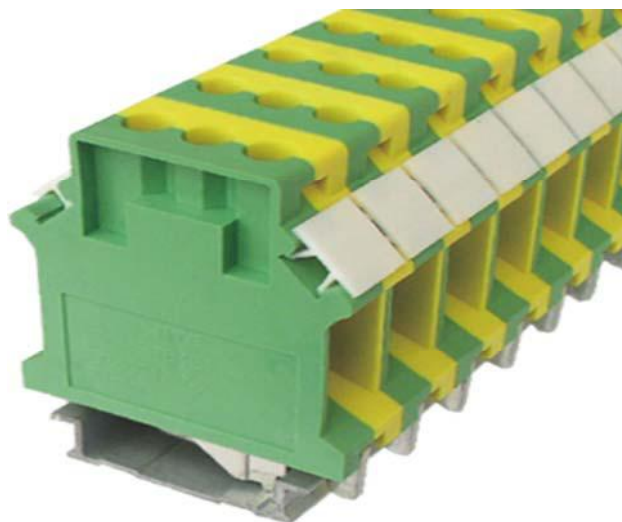
E-mail : anqiao@263.net

<b>Customer:</b>	<b>Customer P/N:</b>
<b>Seller: Hangzhou antron electronics Co., Ltd.</b>	
<b>Part No: RTB425-02-01</b>	

**Revision for RTB425-02-01**

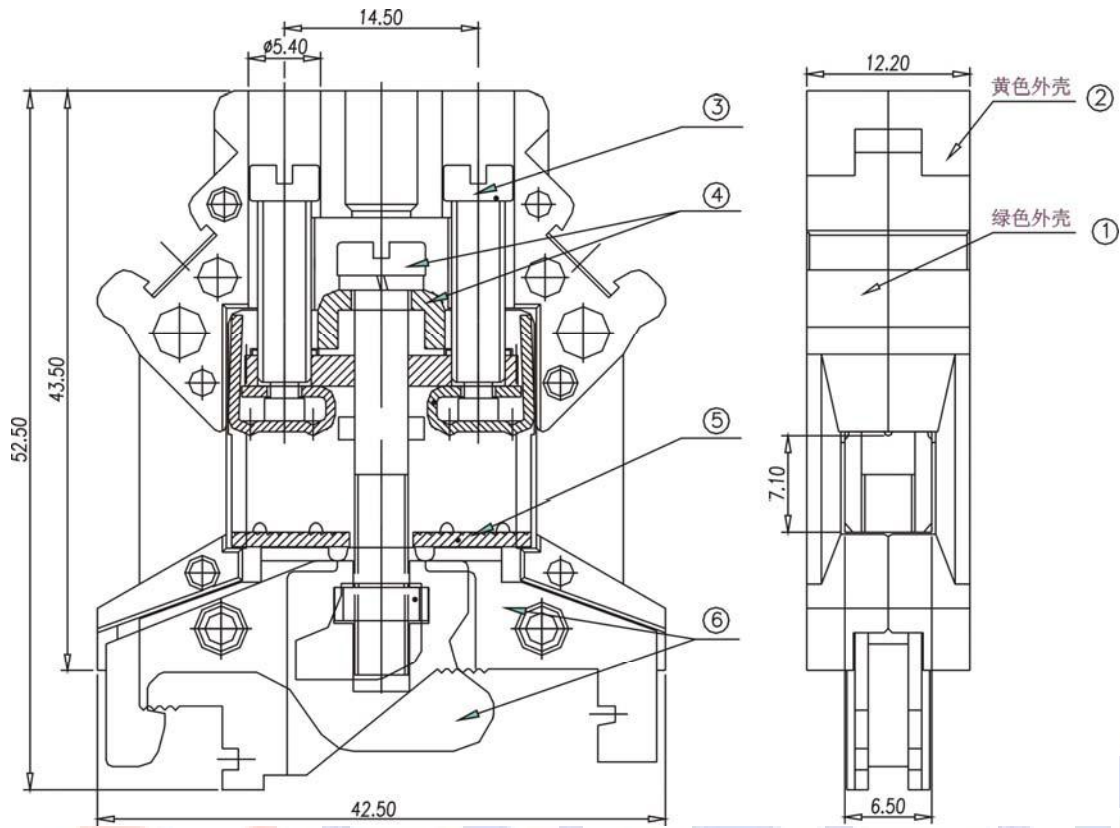
<b>Item No</b>	<b>Edition</b>	<b>Part Revised</b>	<b>Date Revised</b>
<b>1</b>	<b>A</b>	<b>put in file</b>	<b>2007-07-06</b>
<b>2</b>			
<b>3</b>			
<b>4</b>			
<b>5</b>			
<b>6</b>			
<b>7</b>			
<b>8</b>			
<b>9</b>			

**1、Type: RTB425-02-01**



## 2、Drawing:

unit: mm



Tolerance:

> 120	±0.80
> 30 ~ 120	±0.50
> 6 ~ 30	±0.40
> 0 ~ 6	±0.25

## 3、BOM Table

ITEM	PART NAME	MATERIAL	SURFACE TREATMENT	Q'TY (PCS)
(1)	Green Housing	PA66 (UL94, V-0)		1
(2)	Yellow Housing	PA66 (UL94, V-0)		1
(3)	Screw	Brass H62	Nickel Plating	2
(4)	Screw Assembly	Brass H62	Nickel Plating	1
(5)	Wire cage	Brass H62	Nickel Plating	1
(6)	Clip	Brass H59	Nickel Plating	1

#### 4、 TECHNICAL DATA:

**WIRE RANGE:** 22~4AWG.  
**DIELECTRIC WITHSTAND:** AC3000V,1 MIN  
**BREAKDOWN VOLTAGE:** 6000V (1.2/50 $\mu$ s), Plus and Minus  
Each 5 times  
**INSULATION RESISTANCE:** DC500V 500M  $\Omega$   
**STRIPPING LENGTH:** 11mm  
**MAX. TORQUE:** M4/10.6 lbf·in

#### 5、 WORKING CONDITION:

**OPERATING TEMPERATURE:** -40 $^{\circ}$ C~+105 $^{\circ}$ C  
**ALTITUDE:** Less than 2000m 40Kpa~80KPa  
**RELATIVE HUMIDITY:** 5%~95%  
**POLLUTION DEGREE:** III

#### 6、 APPLICABLE STANDARDS

IEC 60947-1:2001 IEC 60947-7-2:2002 UL 1059:2001

#### 7、 ACCESSORIES:

**MOUNTING RAIL:** JNS35/7.5 JNS35/15 JNS32  
**MARKING STRIP:** 10 position, A055-10-5

#### 8、 PROCEDURE:

Wires can be connected with this type of terminal blocks by a manual or automatic screwdriver

#### 9、 PACKAGE:

Tightly Sealed